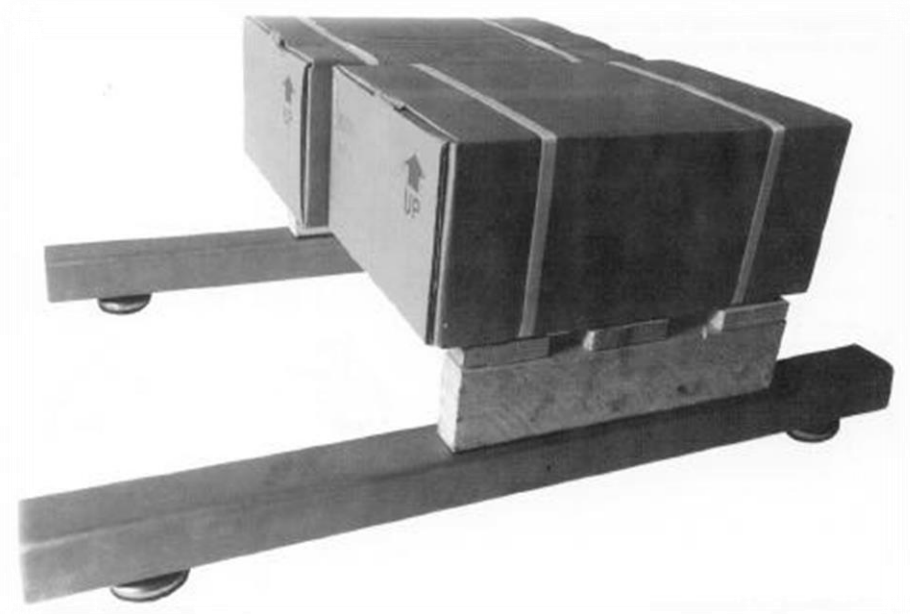


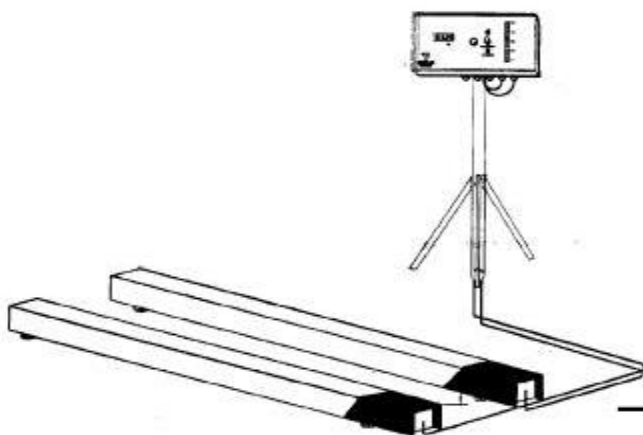
# Beam scale



## Product features

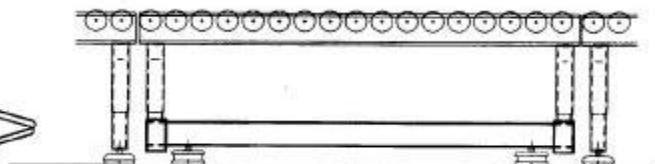
- High weighing accuracy
- Many applications
- Low own weight
- Tightness: IP 67
- Also deliverable in stainless steel

TEKFA's beam scale is an ideal combination scale for various applications. The beam scale is very easy to move and changed and may be used where ever there is a 220 Volt supply. The scale may be delivered with an instrument for normal weight indication, but other functions may also be added, like for example 4-20 mA output, charge weighing, set points, summation programs, etc.

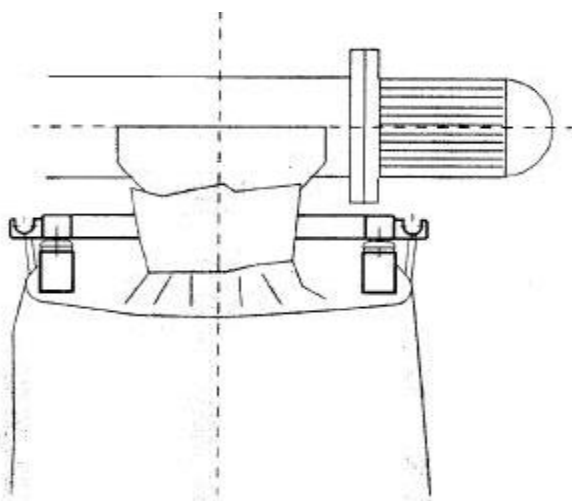


**As a floor scale**

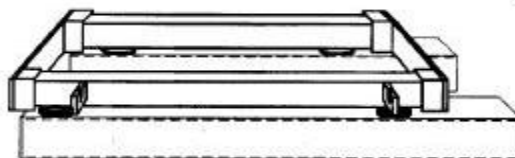
An extra beam may be mounted crosswise in any dimension for the weighing of standard pallets.



**For the weighing of roller conveyors**



**For the filling of big-bags according to weight**



**Specifications**

L x B x H (mm):	1000 x 70 x 85 (Standard dimension for one beam) Other dimensions according to application
Own weight per beam:	8,5 kg (At standard dimension)
Capacity:	1000 kg, 2000kg (Standard) 400 kg, 800 kg and 4000 kg (may be delivered as an option)
Load cells:	Error: 0,05 % total (Standard, according to class C1)
Tightness:	IP 67