

DO NOT SCALE
DRAWING
IF IN
DOUBT – ASK

DRAWING SPECIFICATIONS
UNLESS STATED OTHERWISE

Screw threads to BS3643

ISO Metric Coarse Pitch Series (Medium Fit)

Surface Finish to BS1134 in micrometres

Welding Symbols to BS489 Pt 2

Dimension & Geometrical Tolerances to BS308

Limits & Fits to BS4500
Remove all sharp edges and burrs

TOLERANCE SPECIFICATIONS
UNLESS STATED OTHERWISE

SHEET METAL DIMENSIONS
0 to 300 ± 1.00
300 to 1000 ± 2.00
Over 1000 ± 3.00

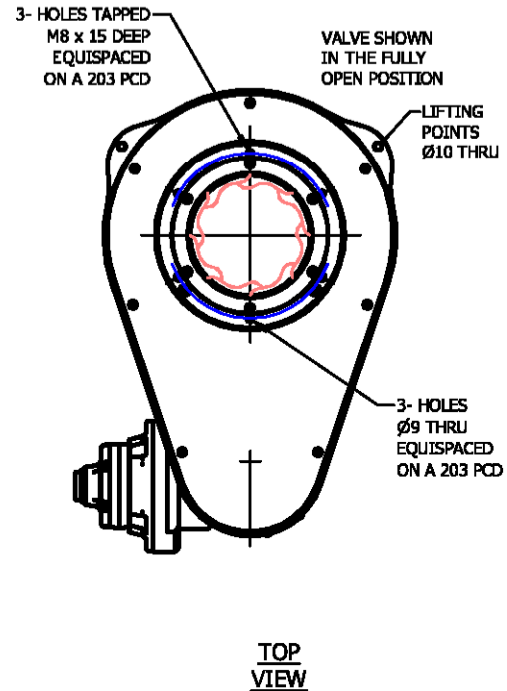
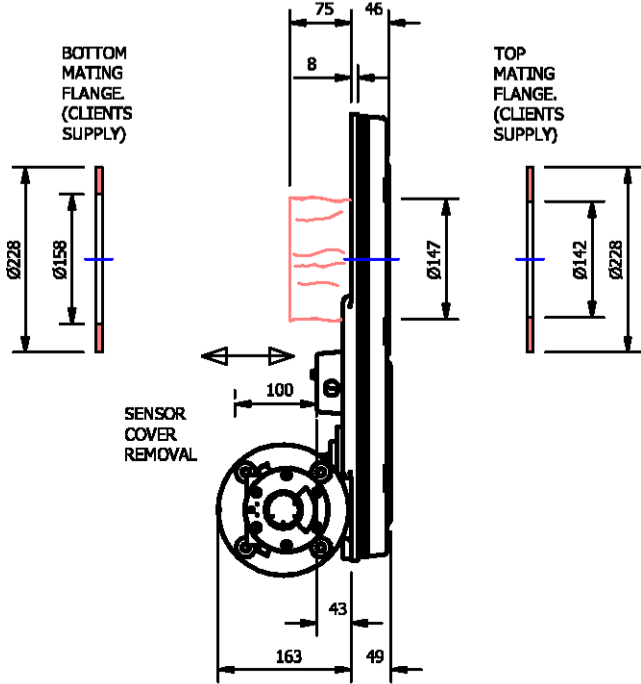
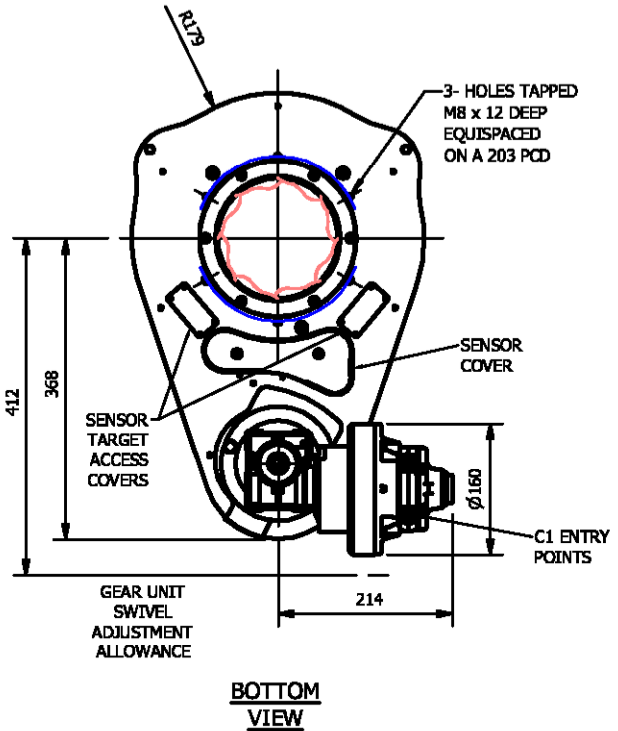
MACHINED DIMENSIONS
0 to 150 ± 0.30
Over 150 ± 0.60

UNMACHINED DIMENSIONS
0 to 150 ± 0.50
Over 150 ± 1.50

ANGULAR DIMENSIONS
± 0°-30'

For all material, weld and finish specifications refer to purchase/works order unless stated otherwise

A	PB	30.06.15	FIRST ISSUE
ISSUE	OWN	DATE	REMARKS



OPERATION BY D1 kW 3000rpm REVERSIBLE AIR MOTOR.
USING E1 l/m OF LUBRICATED COMPRESSED AIR AT 5.6bar

***IMPORTANT WHEN USING SPOOL VALVES TO CONTROL UNIT, SUGGESTED PORT SIZES = 1/2" BSP DUE TO FLOW RATES REQUIRED.**

Nett Weight = 14Kgs

VALVE FITTED WITH OPEN, CLOSED & TRICKLE POSITION INDICATOR SENSORS.
NOMINAL VOLTAGE - 8.2V (INTRINSICALLY SAFE)
CURRENT CONSUMPTION >3mA & < 1mA WHEN ACTIVATED.

ALL SWITCHES HAVE A 2m SENSOR CABLE EXITING THROUGH A COMMON SINGLE PORT IN THE ABS SWITCH BOX.

OPTIONAL PULSE COUNTING TRICKLE POSITIONING ON OUTPUT SHAFT OF GEARED UNIT.
NOMINAL VOLTAGE - 8.2V (INTRINSICALLY SAFE)
CURRENT CONSUMPTION >3mA & <1mA WHEN ACTIVATED.

APPROVED BY
CHECKED BY

ALL DIMENSIONS IN MILLIMETRES
THIRD ANGLE PROJECTION



PROCESSCOMPONENTS
MUCON | KEK | GARDNER | PPS

TITLE
A2P06 IRIS DIAPHRAGM VALVE – PNEUMATIC

DRAWING No
A4 Series A2P06 Pneumatic

DRAWN BY
P. RAJESU

SCALE
1:10

ISSUE
A

DATE
27/07/2015