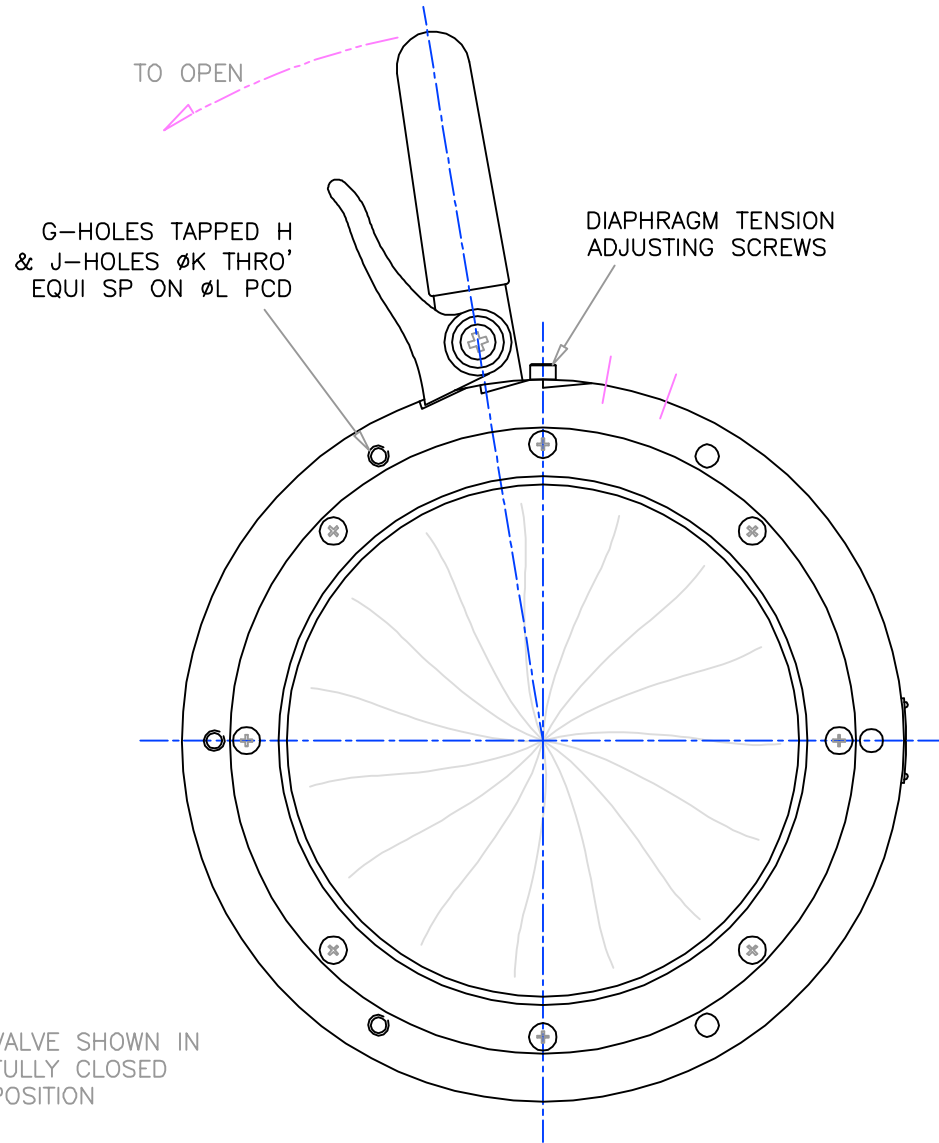
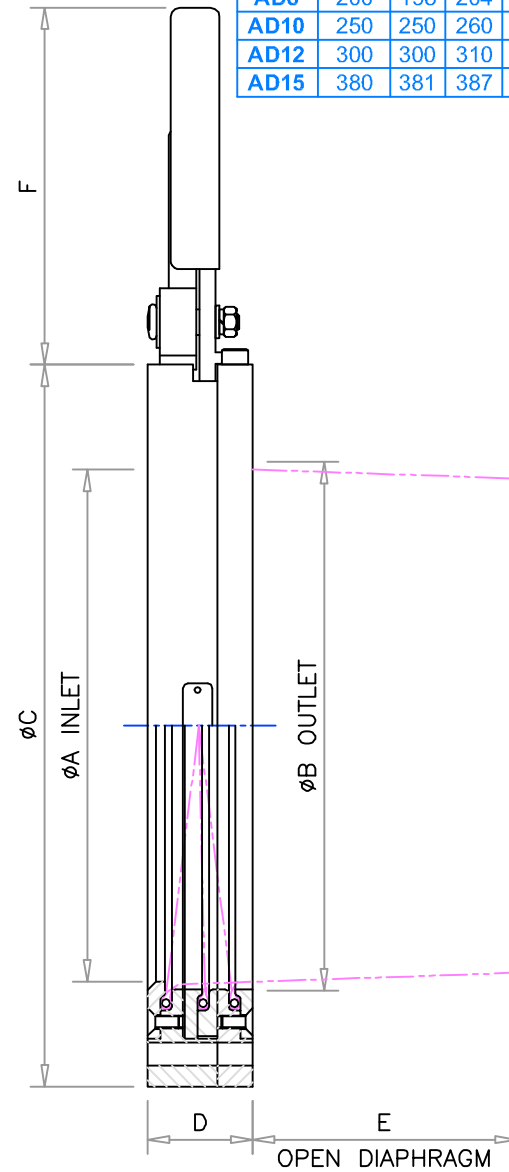




Valve Type	Nom Bore	All dimensions in mm / Weights given for Ali unit in kgs											Nett Weight
		A	B	C	D	E	F	G	H	J	K	L	
AD3	80	73	78	127	35	38	109	3	M6	3	7	113	1.1
AD4	100	102	106	172	36	50	136	3	M8	3	9	156	2.1
AD6	150	147	153	228	41	75	136	3	M8	3	9	203	3.1
AD8	200	198	204	280	41	102	136	3	M8	3	9	254	4.4
AD10	250	250	260	356	52	127	174	4	M10	4	11	327	8.7
AD12	300	300	310	406	52	152	174	4	M10	4	11	378	10.4
AD15	380	381	387	498	59	190	180	6	M10	6	11	470	19.1



VALVE SHOWN IN FULLY CLOSED POSITION



### Series AD Handlever Operated Iris Diaphragm Valve

08/10/98 A  
Although every effort is made to ensure this data is current, our products are subject to ongoing development and accordingly we reserve the right to change specifications and details without prior notice. Always request a certified drawing