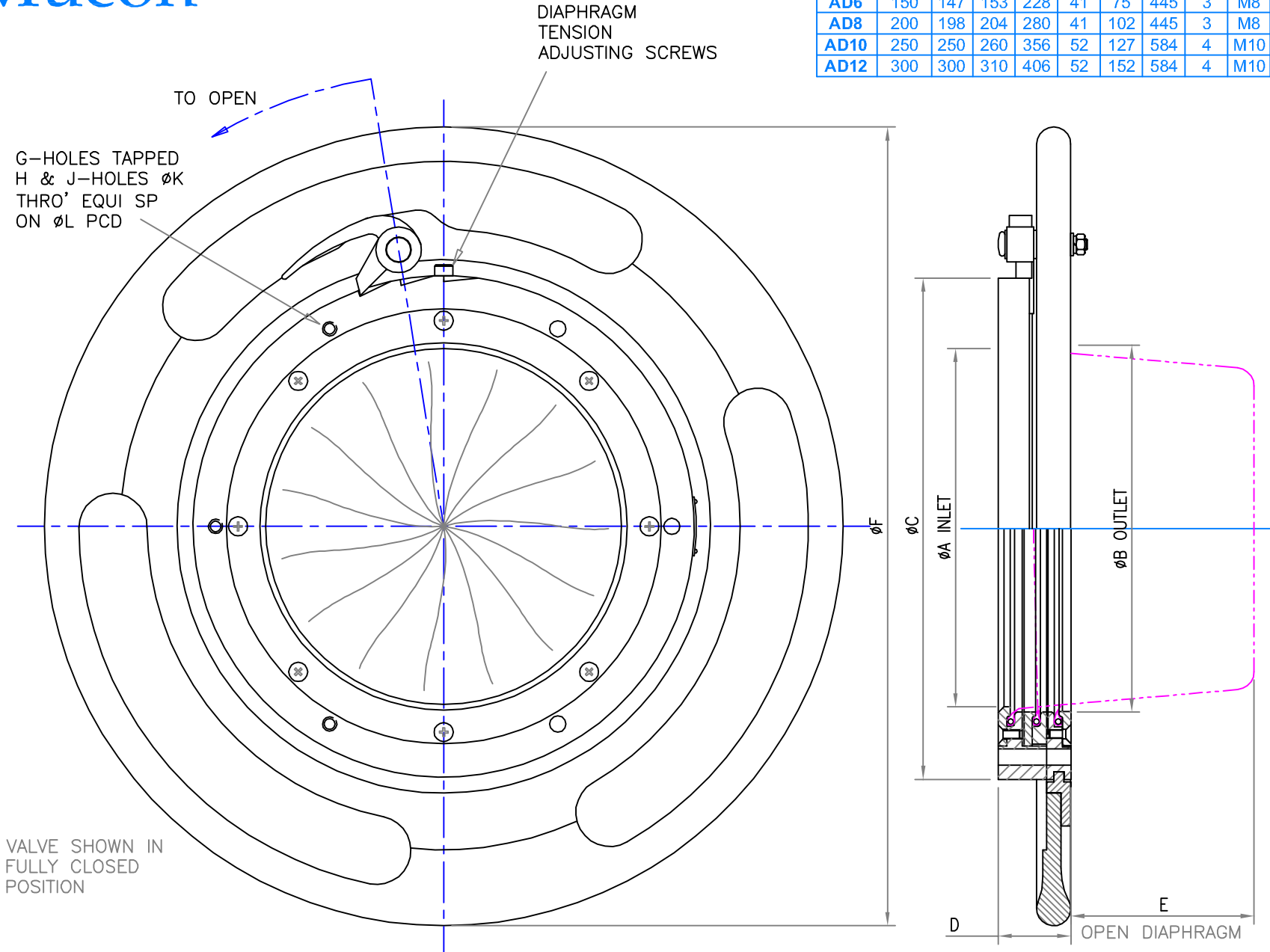




Valve Type	Nom Bore	All dimensions in mm / Weights given for All unit in kgs										Nett Weight	
		A	B	C	D	E	F	G	H	J	K		L
AD6	150	147	153	228	41	75	445	3	M8	3	9	203	3.1
AD8	200	198	204	280	41	102	445	3	M8	3	9	254	4.4
AD10	250	250	260	356	52	127	584	4	M10	4	11	327	8.7
AD12	300	300	310	406	52	152	584	4	M10	4	11	378	10.4



08/10/98 A

Series AD Hand Wheel Operated Valves

Although every effort is made to ensure this data is current, our products are subject to ongoing development and accordingly we reserve the right to change specifications and details without prior notice. Always request a certified drawing