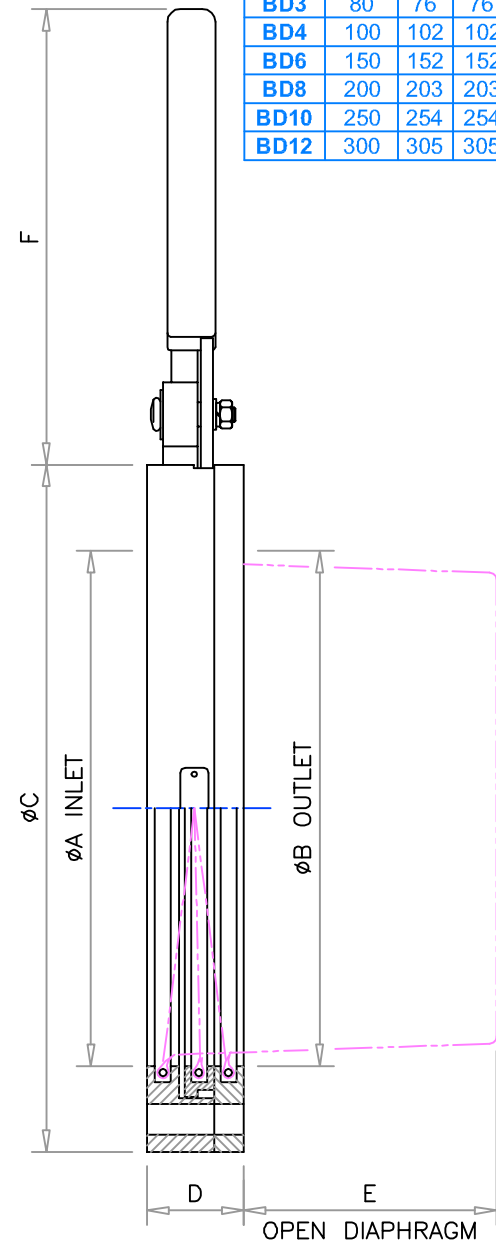
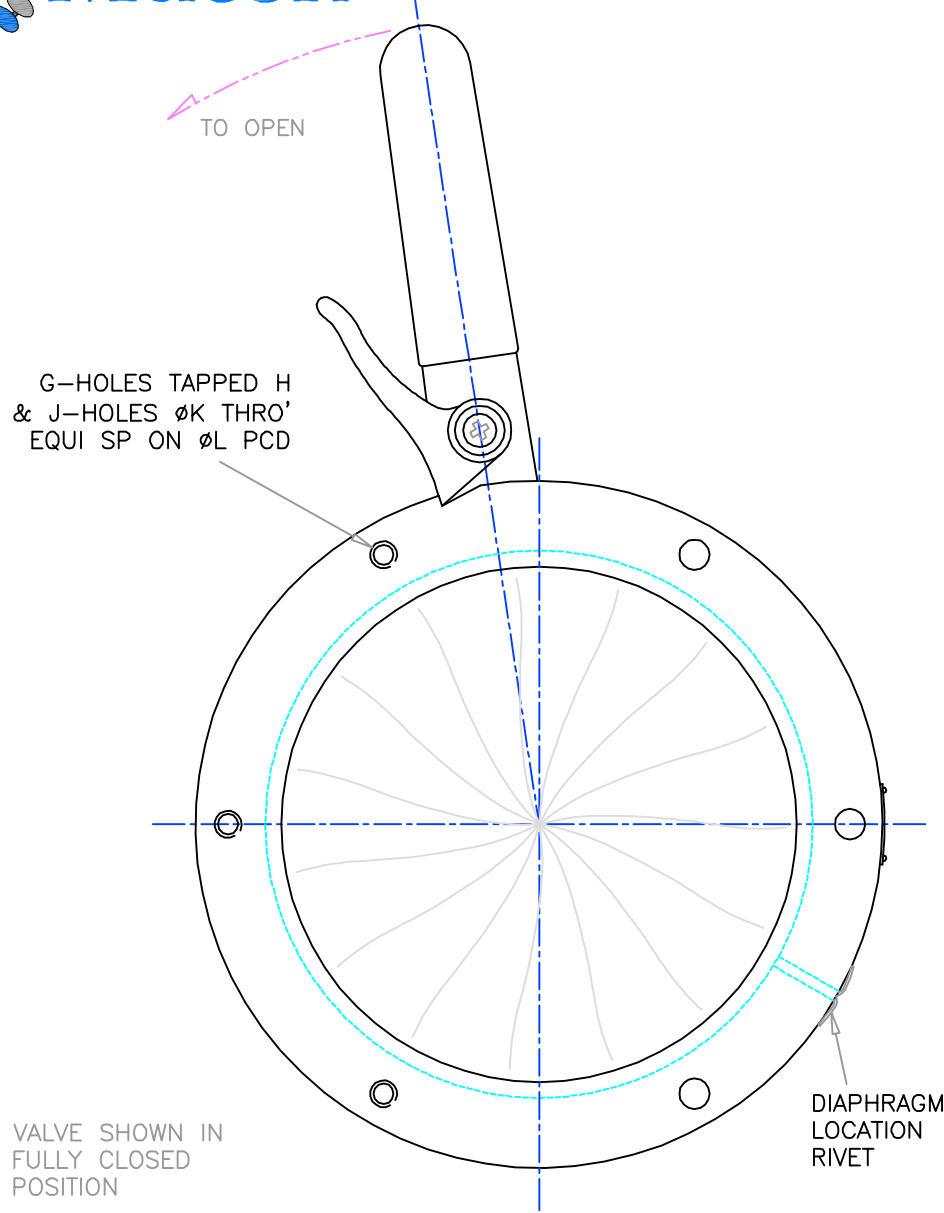




Mucon

Valve Type	Nom Bore	All dimensions in mm / Weights given for Ali unit in kgs											Nett Weight
		A	B	C	D	E	F	G	H	J	K	L	
BD2	50	51	51	90	20	16	108	3	M6	3	7	73	0.5
BD3	80	76	76	114	20	25	108	3	M6	3	7	98	0.6
BD4	100	102	102	152	27	38	137	3	M8	3	9	133	1.1
BD6	150	152	152	203	29	64	137	3	M8	3	9	184	1.7
BD8	200	203	203	254	30	90	137	3	M8	3	9	237	2.0
BD10	250	254	254	330	45	114	174	4	M10	4	11	305	6.4
BD12	300	305	305	380	45	140	174	4	M10	4	11	356	7.3



Series BD Hand Operated Iris Diaphragm Valve