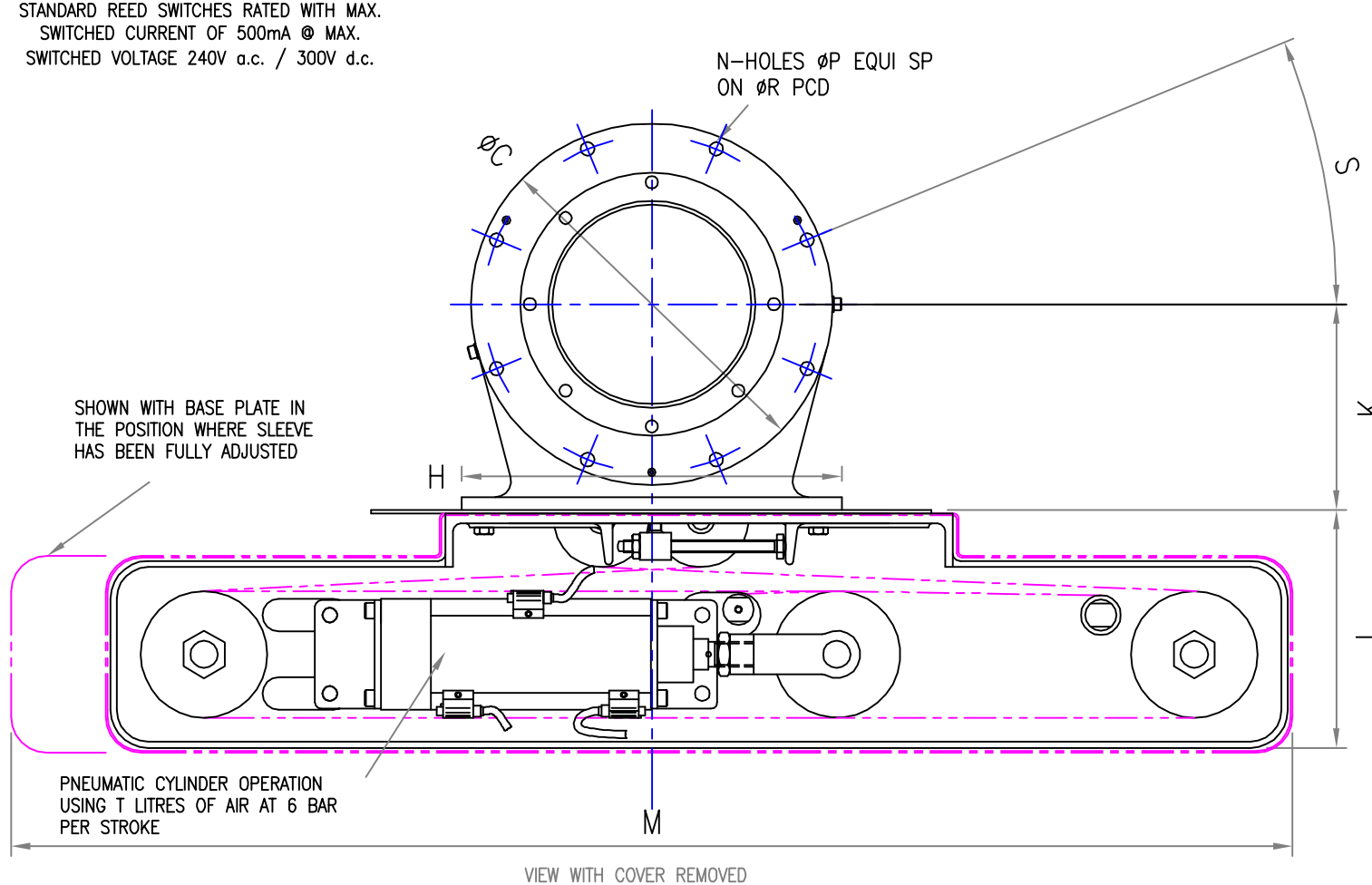




Valve Type	Nom Bore	All dimensions in mm / Weights given for Ali unit in kgs																	Nett Weight
		A	B	C	D	E	F	G	H	J	K	L	M	N	P	R	S	T	
ED6	150	160	190	290	60	80	67	131	305	177	165	203	1030	8	11	270	22.5°	3.5	25.4
ED8	200	212	240	350	60	110	66	131	305	177	197	203	1030	8	11	324	22.5°	4	28.1
ED10	250	263	292	400	60	130	65	131	305	177	222	203	1030	8	11	375	22.5°	5	30.3
ED12	300	314	343	470	76	160	64	140	356	200	267	214	1336	8	14	438	15°	8.5	52.1
ED15	375	390	420	565	89	200	58	140	356	200	314	214	1336	8	14	533	22.5°	10.5	72.0
ED18	450	467	495	641	89	230	58	140	356	200	352	214	1336	8	14	610	22.5°	12	77.5

AVAILABLE WITH STANDARD OPEN, CLOSED AND TRICKLE REED SWITCHES WIRED TO TERMINAL BLOCK. ALSO AVAILABLE WITH INTRINSICALLY SAFE SENSOR ASSEMBLY SUPPLIED WITH FLYING LEADS.

STANDARD REED SWITCHES RATED WITH MAX. SWITCHED CURRENT OF 500mA @ MAX. SWITCHED VOLTAGE 240V a.c. / 300V d.c.



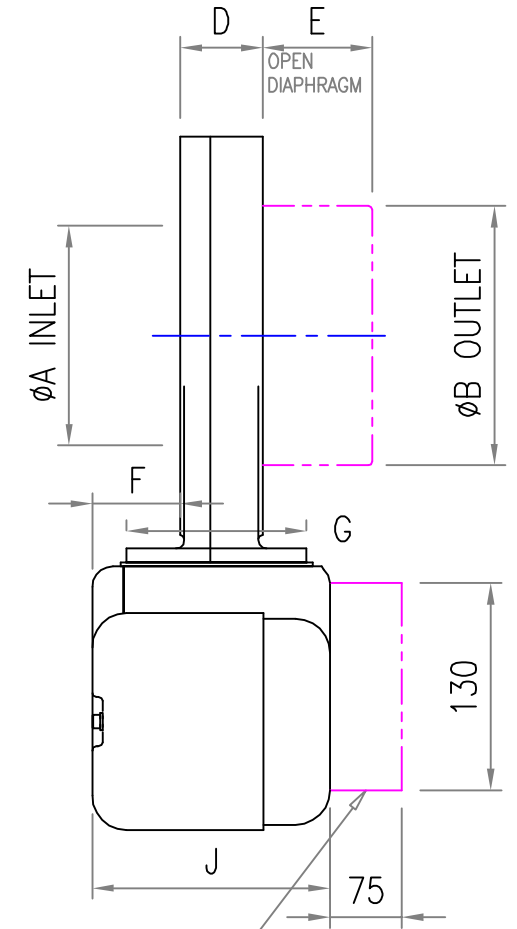
PNEUMATIC CONNECTION

NO SOLENOID

2 CONNECTIONS DIRECT TO CYLINDER.
ED 6/8/10 – 3/8" BSP
ED12/15/18 – 1/2" BSP

WITH SOLENOID

SINGLE POINT CONNECTION TO SUIT 8MM TUBE (OUTSIDE DIAMETER).



SOLENOID VALVE (WHEN FITTED)

Series ED Pneumatic Cylinder Operated Iris Diaphragm Valve

Although every effort is made to ensure this data is current, our products are subject to ongoing development and accordingly we reserve the right to change specifications and details without prior notice. Always request a certified drawing