

| Valve Type | Nom Bore | All dimensions In mm / Weights given for All unit In kgs | | | | | | | | | | | |
|------------|----------|--|-----|-----|----|-----|----|-----|-----|-----|-----|-----|-----|
| | | A | B | C | D | E | F | G | H | J | K | L | M |
| ED6 | 150 | 160 | 190 | 290 | 60 | 80 | 67 | 131 | 305 | 282 | 165 | 260 | 352 |
| ED8 | 200 | 212 | 240 | 350 | 60 | 110 | 67 | 131 | 305 | 282 | 197 | 260 | 352 |
| ED10 | 250 | 263 | 292 | 400 | 60 | 130 | 67 | 131 | 305 | 282 | 222 | 260 | 352 |
| ED12 | 300 | 314 | 343 | 470 | 76 | 160 | 57 | 140 | 356 | 297 | 267 | 263 | 393 |
| ED15 | 380 | 390 | 420 | 565 | 89 | 200 | 51 | 140 | 356 | 297 | 314 | 263 | 393 |
| ED18 | 460 | 467 | 495 | 641 | 89 | 230 | 51 | 140 | 356 | 297 | 352 | 263 | 393 |

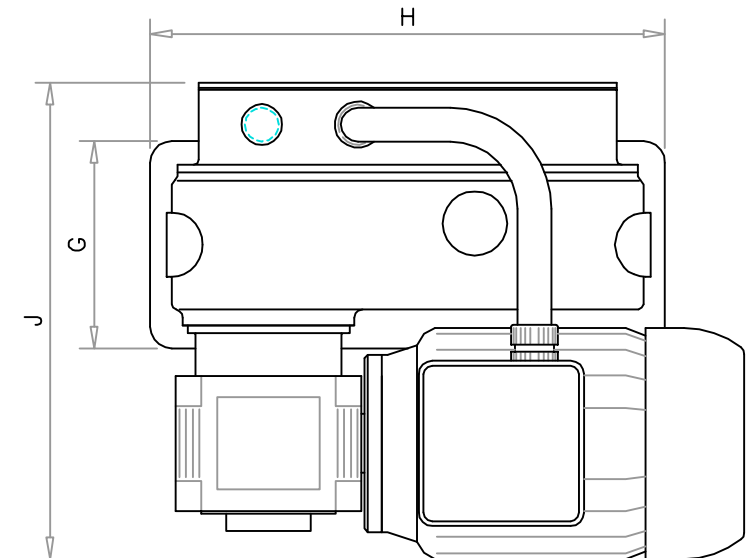
FITTED WITH FULLY OPEN, CLOSED AND TRICKLE LIMIT SWITCHES AS STANDARD. ACCESS TO TERMINATIONS THROUGH $\phi 20$ mm BLANKED HOLE

SWITCHES RATED AT 10A @ 125v-250v A.C. OR 10A @ 30v D.C.

| Valve Type | Dimensions | | | | Nett Weight |
|------------|------------|----|-----|-------|-------------|
| | N | P | R | S | |
| ED6 | 8 | 11 | 270 | 22.5° | 27.2 |
| ED8 | 8 | 11 | 324 | 22.5° | 30.3 |
| ED10 | 8 | 11 | 375 | 22.5° | 32.6 |
| ED12 | 8 | 14 | 438 | 15° | 50.3 |
| ED15 | 8 | 14 | 533 | 22.5° | 63 |
| ED18 | 8 | 14 | 610 | 22.5° | 63 |

ELECTRIC OPERATION BY 0.25kW, 4-POLE, IP55, 71 FRAMED INDUCTION MOTOR. SUITABLE FOR :
220/240-380/415v-3ph-50Hz
254/277-440/480v-3ph-60Hz SUPPLY

FULL LOAD CURRENT @ 230v ~ 1.65A @ 415v ~ 0.95A



Series ED Motorised Iris Diaphragm Valve

23/10/98 A

Although every effort is made to ensure this data is current, our products are subject to ongoing development and accordingly we reserve the right to change specifications and details without prior notice. Always request a certified drawing