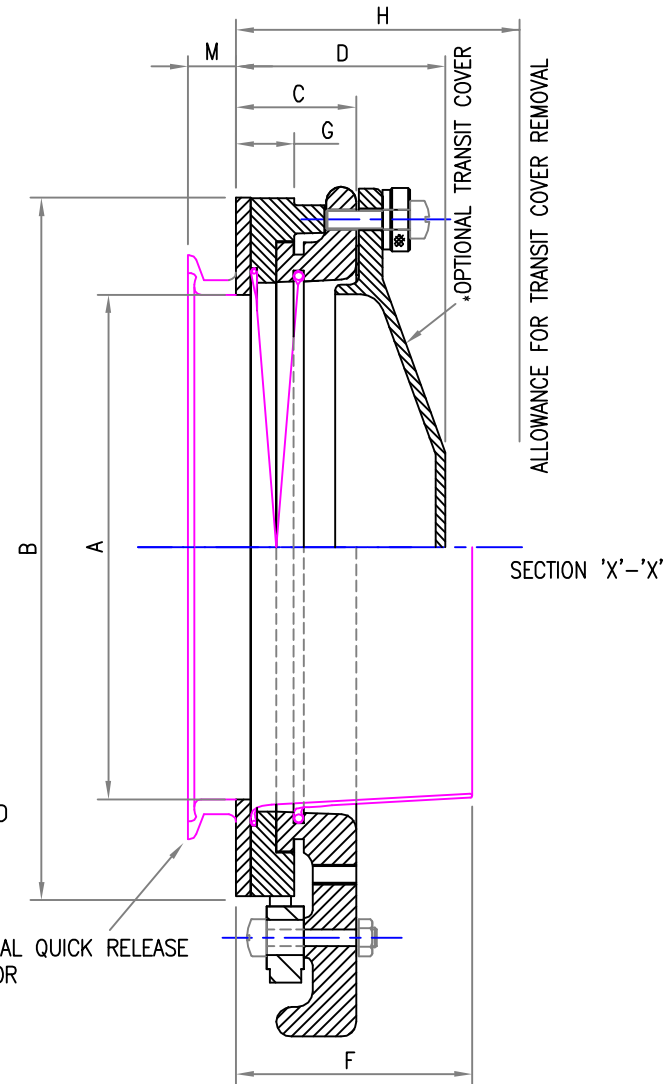
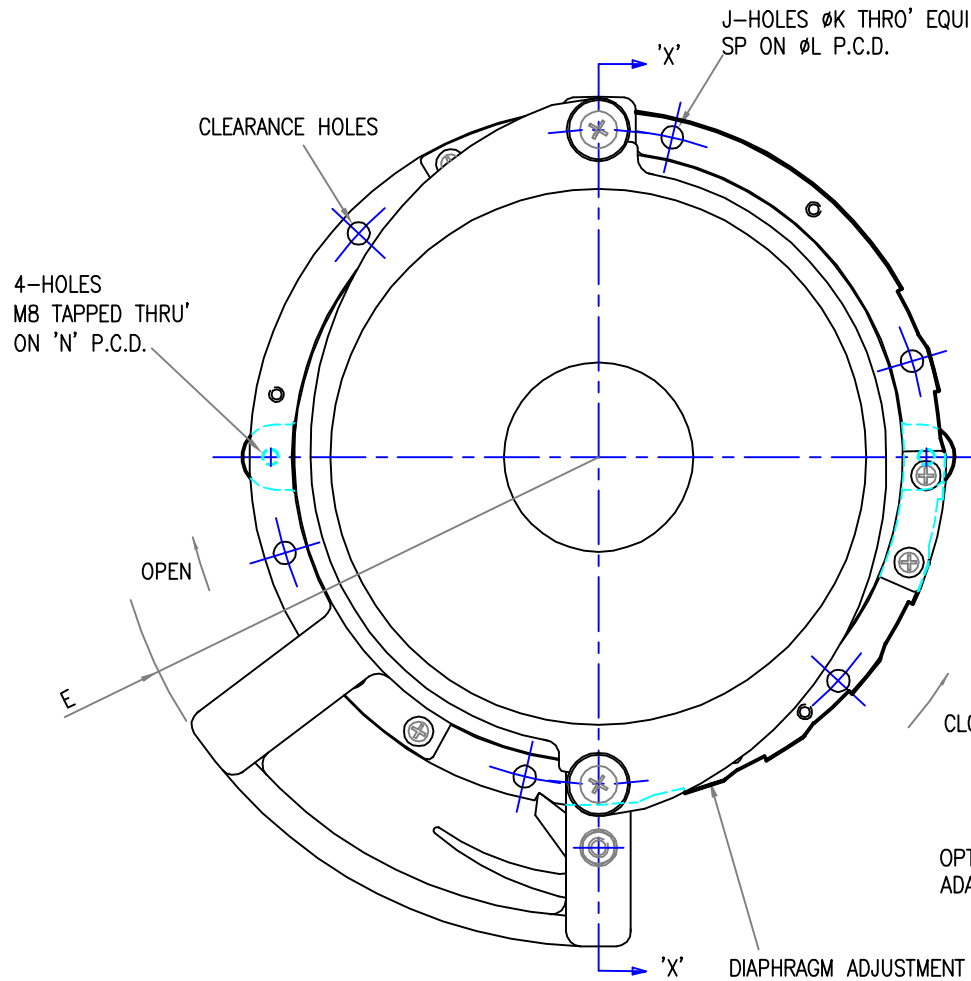




Valve Type	Nom Bore	All dimensions in mm / Weights given for Ali unit in kgs												Nett Weight	
		A	B	C	D	E	F	G	H	J	K	L	M		N
H4	100	102	170	38	*	144	75	22	*	6	9	152	20		1.2
H6	150	152	230	50	86	170	100	23	98	6	9	213	20	209.55	2.0
H8	200	207	283	50	86	197	126	23	98	6	9	264	20	263.50	2.6
H10	250	264	340	52	103	235	156	27	115	6	11	320	20		3.6
H12	300	314	390	54	103	275	180	31	115	8	9	369	20		4.5

H4 (100mm) Valve – No transit cover is available for this valve.

\*HPDC INCLUDES MULTI NOTCHES & FOUR COVER RETAINING LUGS.



## Series H Hand Operated Iris Diaphragm Valve

27/04/00 A

Although every effort is made to ensure this data is current, our products are subject to ongoing development and accordingly we reserve the right to change specifications and details without prior notice. Always request a certified drawing