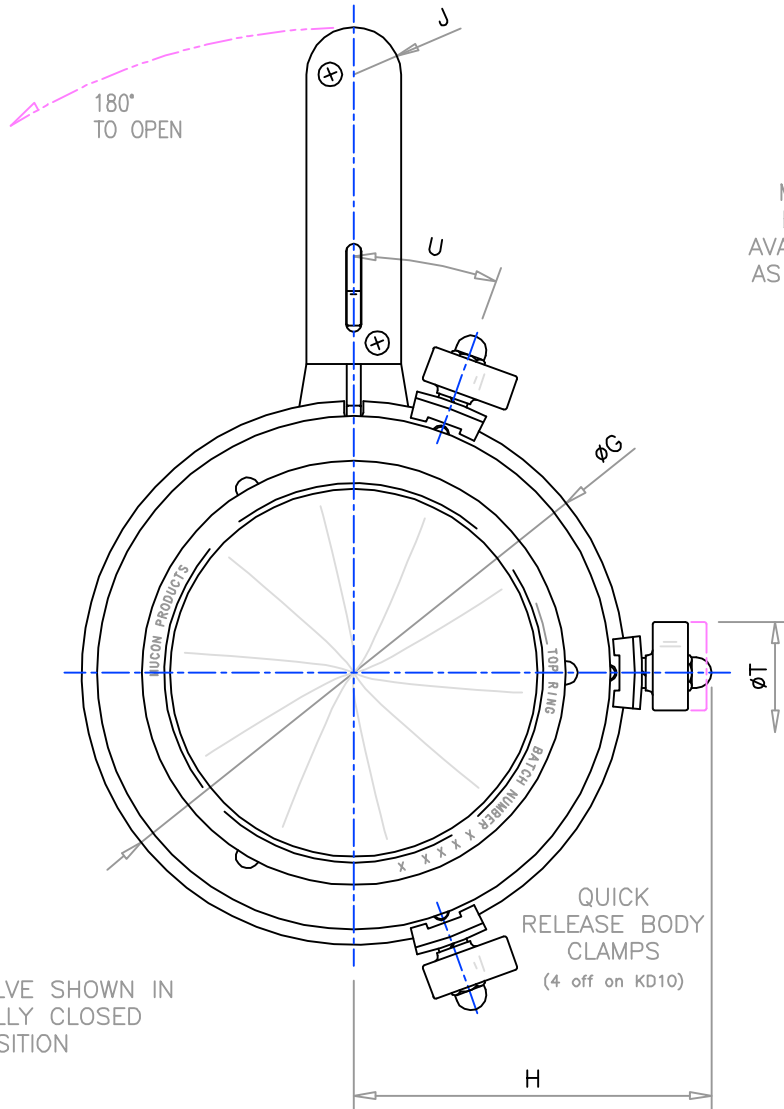
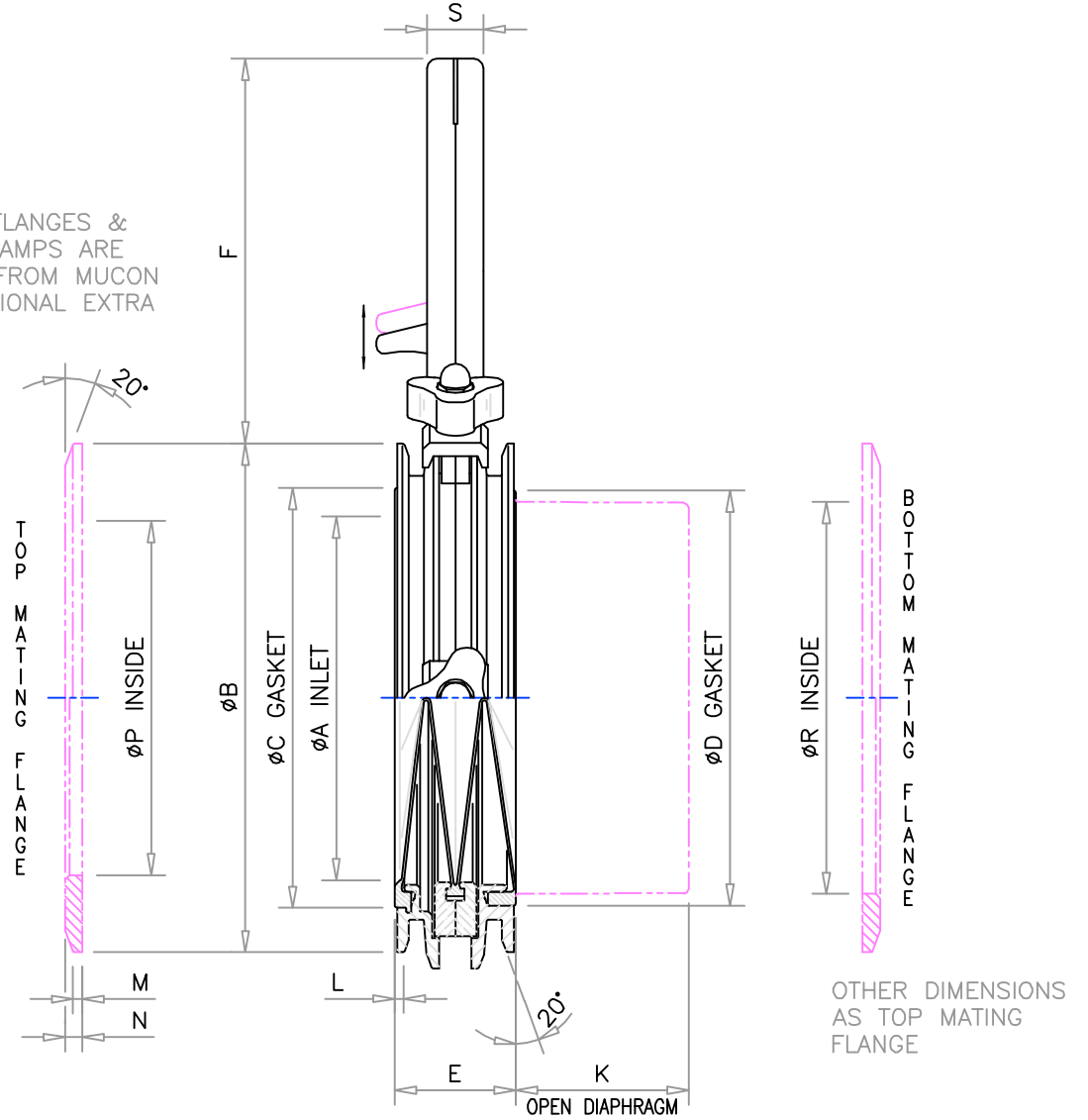




Valve Type	Nom Bore	All dimensions in mm / Weights given for 316 unit in kgs																		Nett Weight
		A	B	C	D	E	F	G	H	J	K	L	M	N	P	R	S	T	U	
KD6	150	156	218	180	178	52	165	231	152	20	75	4	4	7.5	152	168	24	45	20°	4.0
KD8	200	206	269	230	228	52	165	283	180	20	80	4	4.5	8	203	218	24	45	17°	5.1
KD10	250	260	323	282	280	52	165	337	210	20	95	4	4.5	8	257	272	24	45	14°	6.5



MATING FLANGES & BAND CLAMPS ARE AVAILABLE FROM MUCON AS AN OPTIONAL EXTRA



Series KD Quick Release Hand Operated Iris Diaphragm Valve

Although every effort is made to ensure this data is current, our products are subject to ongoing development and accordingly we reserve the right to change specifications and details without prior notice. Always request a certified drawing