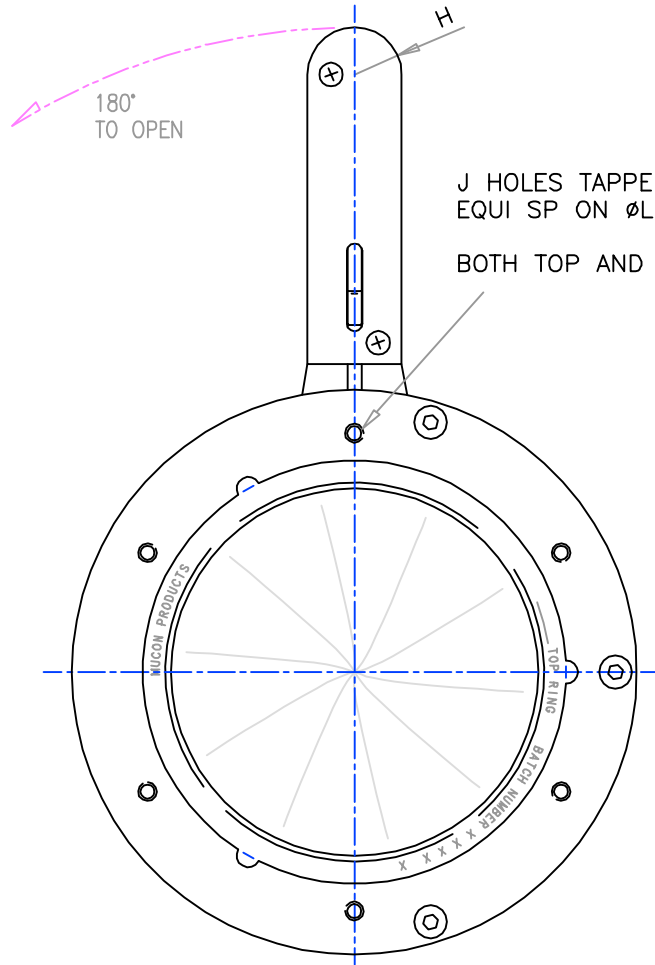




Valve Type	Nom Bore	All dimensions in mm / Weights given for 316 unit in kgs															Nett Weight	
		A	B	C	D	E	F	G	H	J	K	L	M	N	P	R		S
KD6	150	156	240	180	178	52	155	75	20	6	M8	203	152	168	24	10	24	6.6
KD8	200	206	290	230	228	52	155	80	20	6	M8	254	203	218	24	10	24	8.4
KD10	250	260	345	282	280	52	155	95	20	8	M10	327	257	272	24	12	24	10.7



VALVE SHOWN IN FULLY CLOSED POSITION

