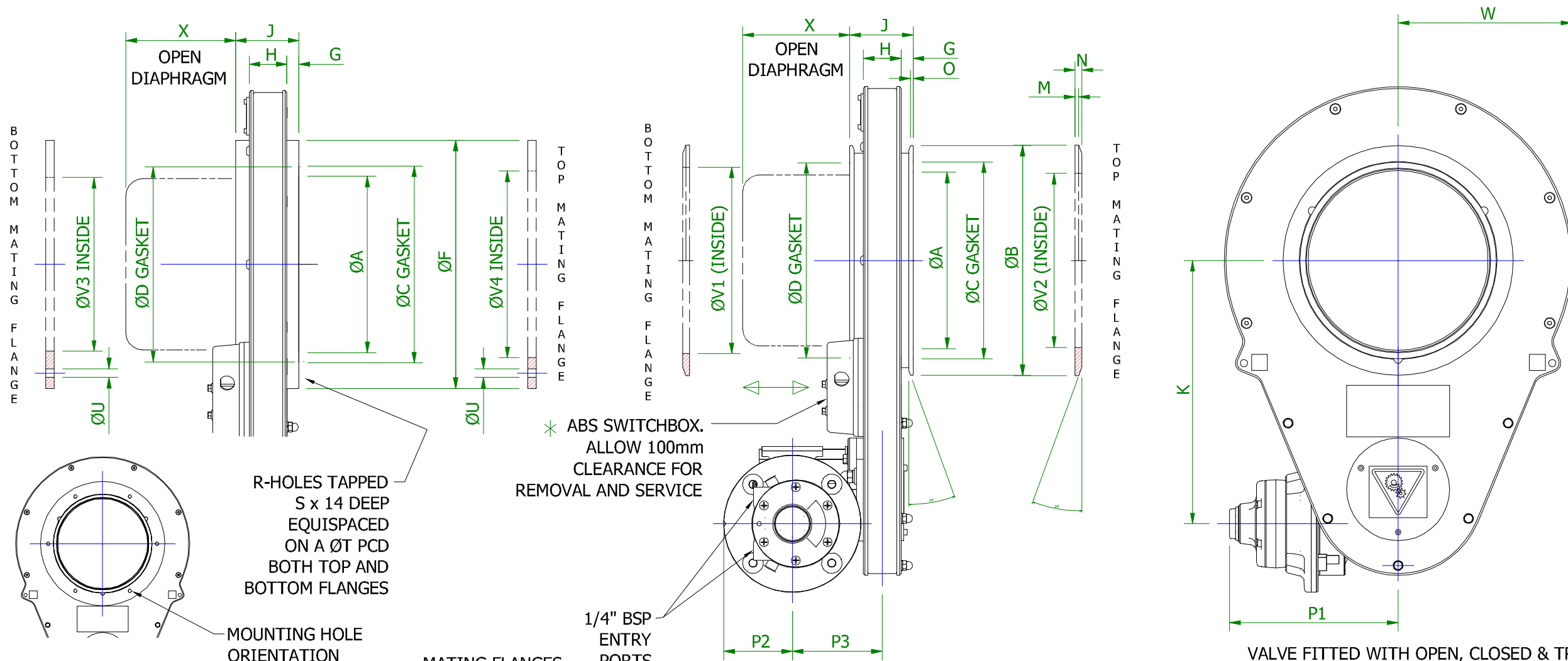




Valve Type	Nominal Bore	A	B	C	D	F	G	H	J	K	M	N	O	P1	P2	P3	R	S	T	U	V1	V2	V3	V4	W	X	Weight
K2P06	150	156	218	180	178	240	14	44	74	307	4	7.5	5	197	80	105	6	M8	203	7	168	152	168	152	178	72	30.3 kg
K2P08	200	206	269	230	228	290	14	44	74	307	4.5	8	5	197	80	105	6	M8	254	7	218	203	203	218	203	77	32.1 kg



R-HOLES TAPPED
S x 14 DEEP
EQUISPACED
ON A ØT PCD
BOTH TOP AND
BOTTOM FLANGES

MOUNTING HOLE
ORIENTATION

**BOLTED
FLANGES**

MATING FLANGES
AND BAND CLAMPS
ARE AVAILABLE FROM
MUCON
AS AN OPTIONAL EXTRA

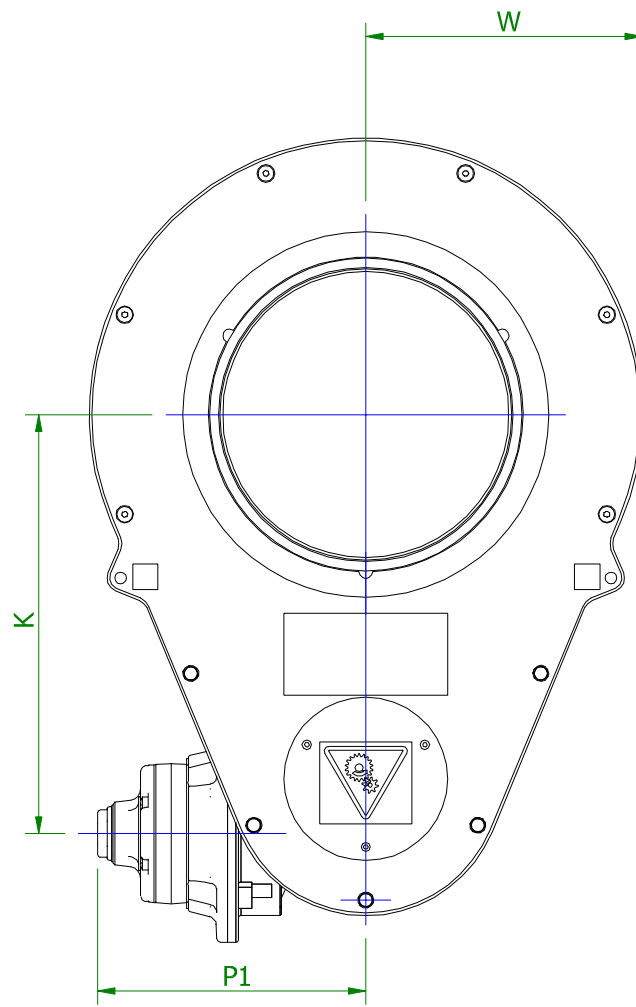
ATEX CERTIFIED VALVES ONLY :-
FITTED WITH A Pt100 TEMPERATURE SENSOR.
4 WIRE CONFIGURATION
Pt100 (100 ohms @ 0°C) TO IEC 751 CLASS B
1 mtr CABLE EXITING THROUGH ABS SWITCH BOX

* ABS SWITCHBOX.
ALLOW 100mm
CLEARANCE FOR
REMOVAL AND SERVICE

1/4" BSP
ENTRY
PORTS

**QUICK RELEASE
FLANGES**

* Ø18 HOLE IN SWITCH BOX COVER.
END USER TO PROVIDE SUITABLE
GLAND/CONDUIT CONNECTIONS
TO SUIT USAGE.



VALVE FITTED WITH OPEN, CLOSED & TRICKLE POSITION
INDICATOR SENSORS.
NOMINAL VOLTAGE - 8.2V (INTRINSICALLY SAFE)
CURRENT CONSUMPTION >3mA & < 1mA WHEN ACTIVATED.
ATEX 2G/1D.
ALL SWITCHES HAVE A 2m SENSOR CABLE EXITING THROUGH
A COMMON SINGLE PORT IN THE ABS SWITCH BOX.

OPTIONAL PULSE COUNTING TRICKLE POSITIONING ON
OUTPUT SHAFT OF GEARED UNIT.
NOMINAL VOLTAGE - 8.2V (INTRINSICALLY SAFE)
CURRENT CONSUMPTION >3mA & < 1mA WHEN ACTIVATED.
ATEX 2G/1D.

12/03/15 B

Series K2P Pneumatic Motor Operated Iris Diaphragm Valve

Although every effort is made to ensure this data is current, our products are subject to ongoing development and accordingly we reserve the right to change specifications and details without prior notice. Always request a certified drawing