

STAINLESS COMPRESSION LOADCELL TYPE RBST

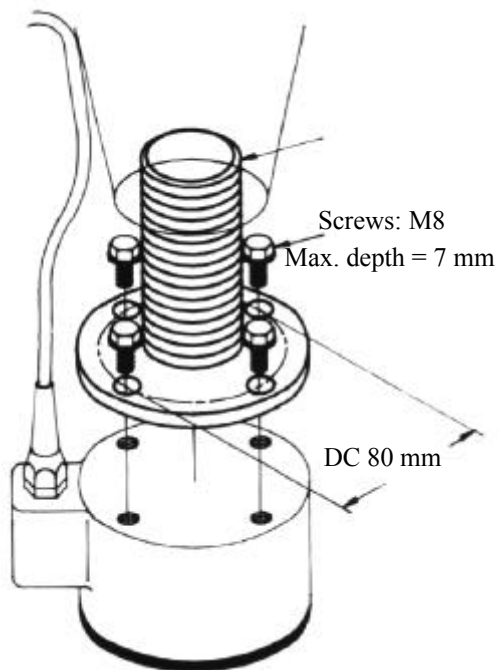
MOUNTING THE RBST LOADCELL



The stainless RBST loadcell is ideal for use in industrial applications where hygiene and resistance to adverse environmental conditions is a general consideration.

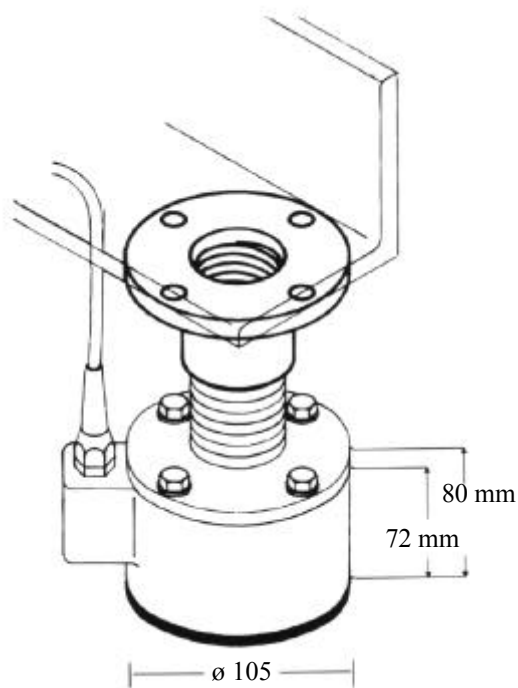
The loadcell is designed to take up smaller horizontal forces and often renders horizontal containers superfluous.

2.1.2-07.89.GB



Adapter:

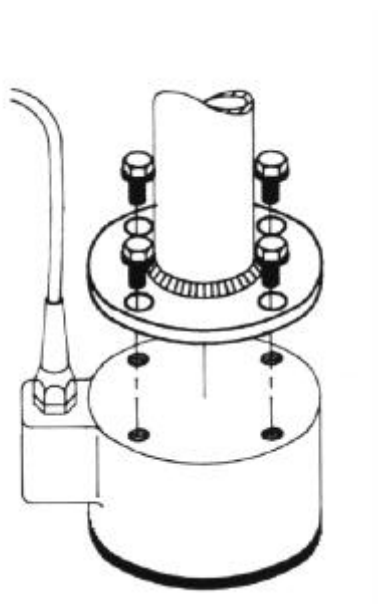
An easy-to-mount part simplifying installation of the RBST into standard European Pipe threads.



Socket:

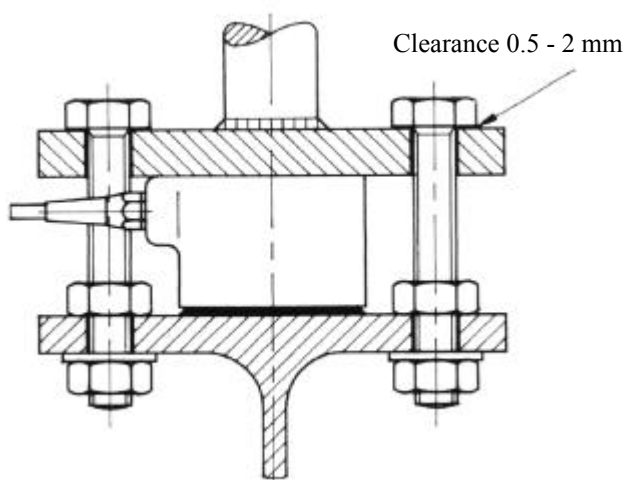
Welded on the object to be weighed. Socket allows installation with 'Adapter'.

Thread: Number
 1 " 28056
 1 1/4" 28057
 1 1/2" 28058



Circular fitting:

Welded on objects to be weighed, this fitting provides contact face for the RBST.



Example of mounting with anti-lifting protection:

The upper boltholes must permit free travel.

Fixation of the RBST:

Pin - ø 6, depth 6 mm - in bottom.