



## Stainless steel load cell model RBM20



TEKFA's zinc-coated load cell, model RBM, is a compact and simple unit for applications where load cells with high capacities are required. The applications of RBM load cells are bigger silo and tank plants within the food industry, chemical industry and other demanding industrial environments

The load cell is produced in stainless steel with a tightness of IP68, protecting the electronics against dust and water.

The RBM series includes the capacity 20.000 kg

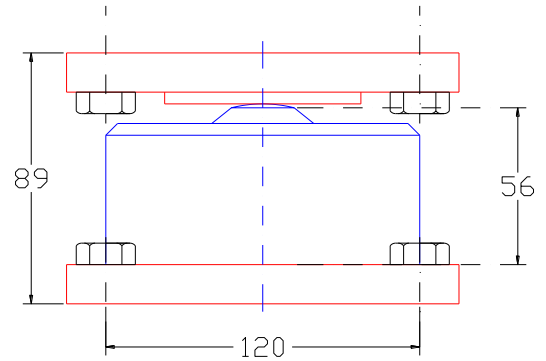
TEKFA's load cells are standard calibrated. This means that one load cell may be replaced with another with the same capacity without re-calibrating the whole weighing system.

The load cells may be connected to all 350Ω weighing amplifiers as well as TEKFA's instruments. TEKFA's weight indicators range from simple weighing indicators to PLC and weighing computers with programs designed for the single customer.

RBM-12.14-uk

**Data**

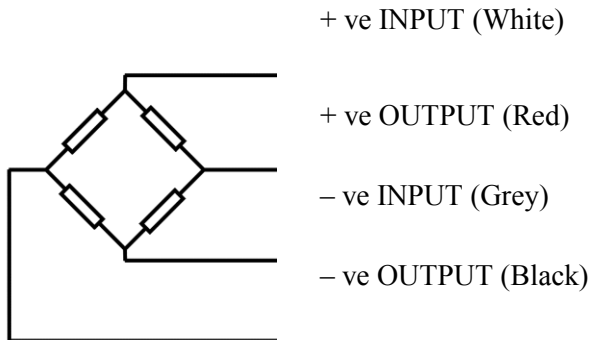
Total error in % of maximum load	$\pm 0.1 \%$
Rated output (mV/V)	$1.8 \pm 0.1\%$
Supply recommended (VDC or VAC)	10V
Supply max. (VDC or VAC)	15 V
Impedance output ( $\Omega$ )	350
Impedance input ( $\Omega$ )	350 - 400
Operation temperature range (C °)	-30 - +70
Overload without effect	20 %
Destructive overload	50 %
Cable length (standard)	5 m
Tightness	IP 68; 20 bar
Material	Zink-coated steel
Own weight	Ca. 3.5 kg

**Dimensions**


The height of 89 mm is inclusive isolation mount above and under the load cell.

**Options**

Extra cable	
Mount	See data sheet on silo mount.
Isolation mount	We recommend the mounting of an isolation mount of the type RBM OU to protect against faulty currents.

**Cable colour**


Item no.	Capacity
RBM20	20.000 kg