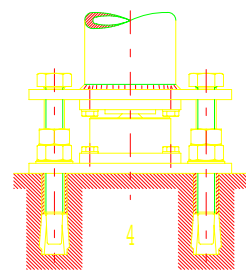
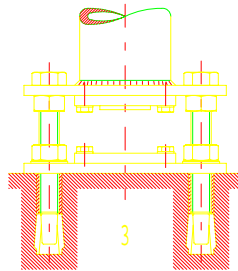
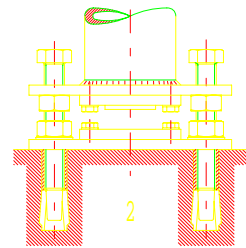
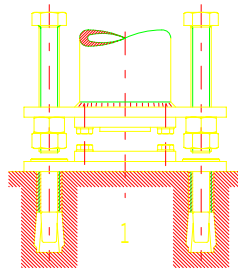
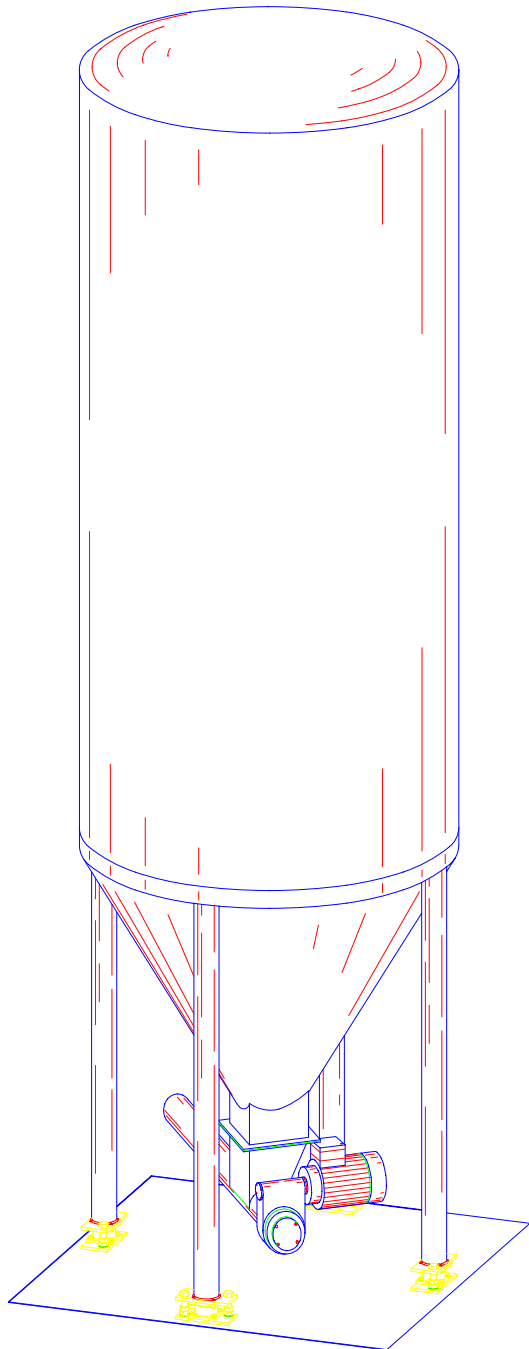
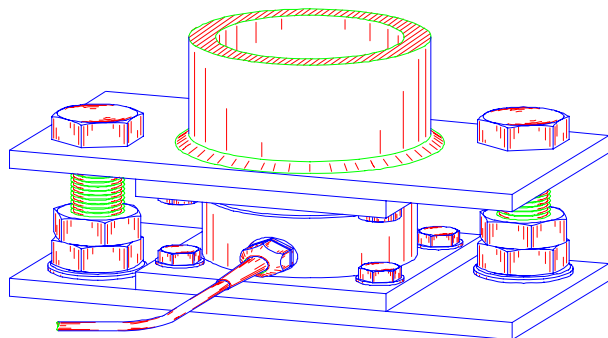


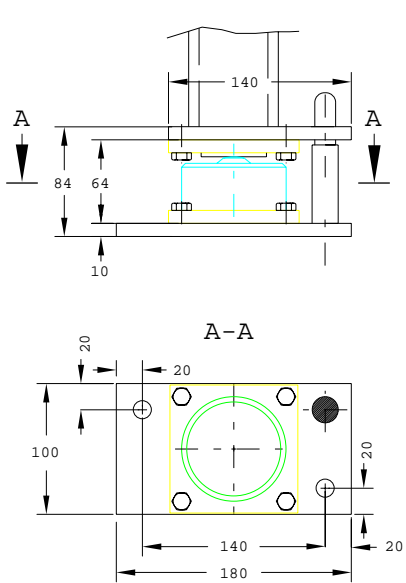
Compression load cell type RB and RBS Mounting kit



The RB and RBS load cells have a lot of standard mounts that makes it easy to find the right installation. Below, the load cell is shown with a MTC mount. See the back page for other types.

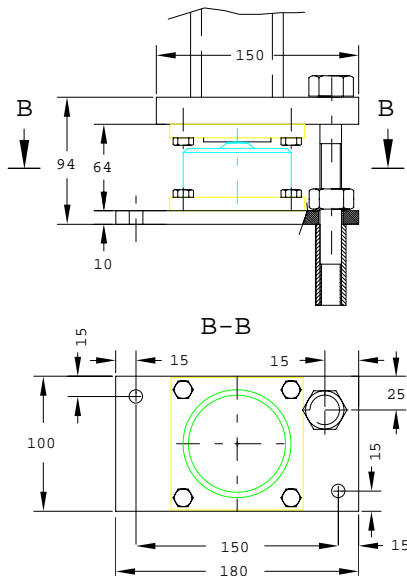
1. Upper leg is welded to the silo leg. Mount the expansion bolts.
2. When H is 85-87 mm, the lower contra nuts are tightened.
3. Lift the silo leg with the upper nuts.
4. Place the load cell and tighten the upper load cells as shown.





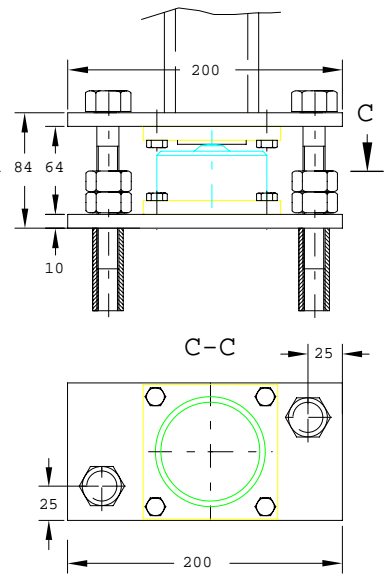
MTA mount

Absorbs horizontal forces. A mount for indoor tanks with no need for lift protection.



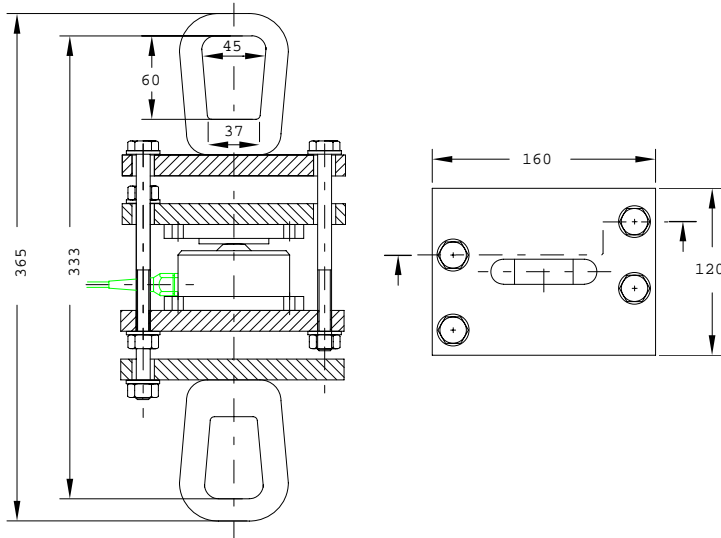
MTB mount

Absorbs horizontal forces and provides a lift protection. Especially for outdoor tanks.



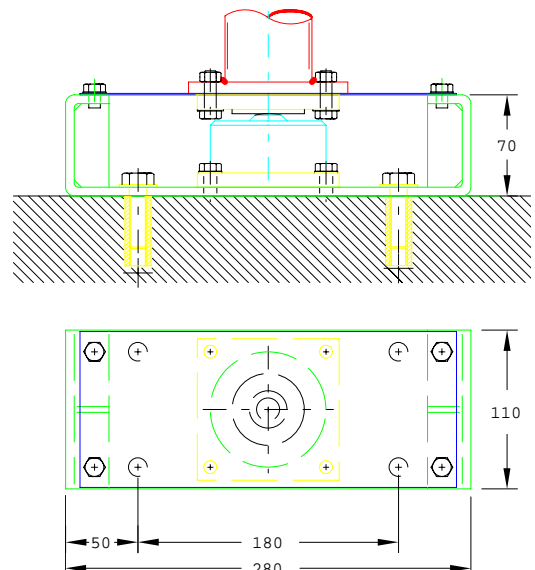
MTC mount

Applications as MTB mount, but for outdoor tanks that are subject to very strong winds.



TRÆKBS mount

In this way, the compression load cell may be used to measure tension. Max. load: 2 tons.



MTF-ST

Absorbs horizontal loads a provides a lift protection. The symmetric structure gives an even pressure on the load cell. The top plate on the mount is flexible and keeps the tank on its place. A mount that is very suitable for outdoor tanks. Also for stainless load cells.

All mounts on this page contain the isolation mounts RB-c/u