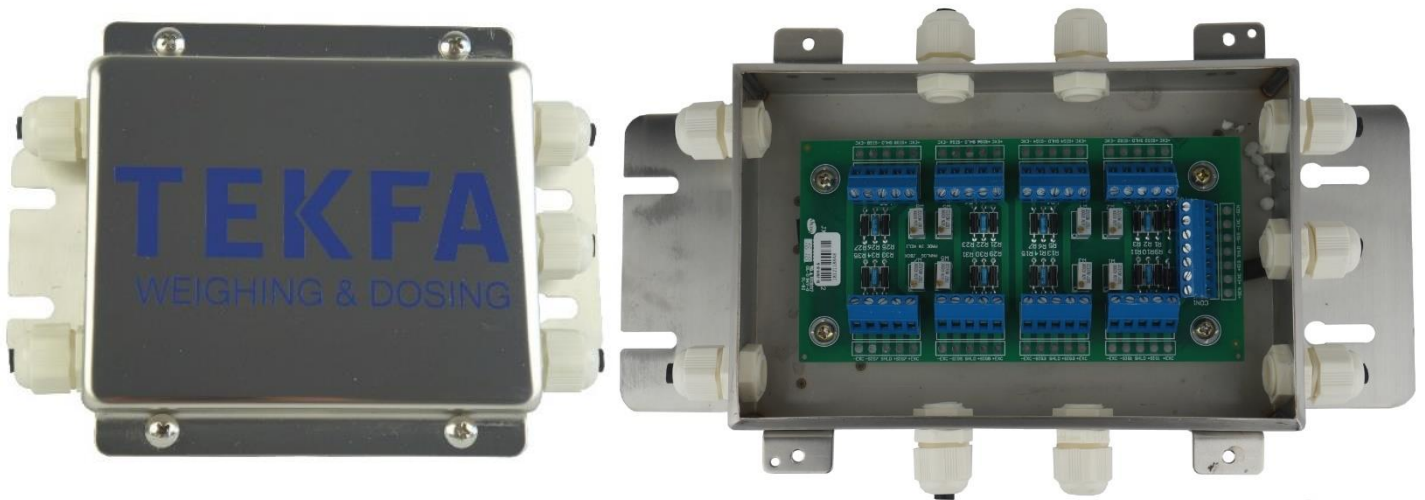


Junction box

BOKSC4 & BOKSC8



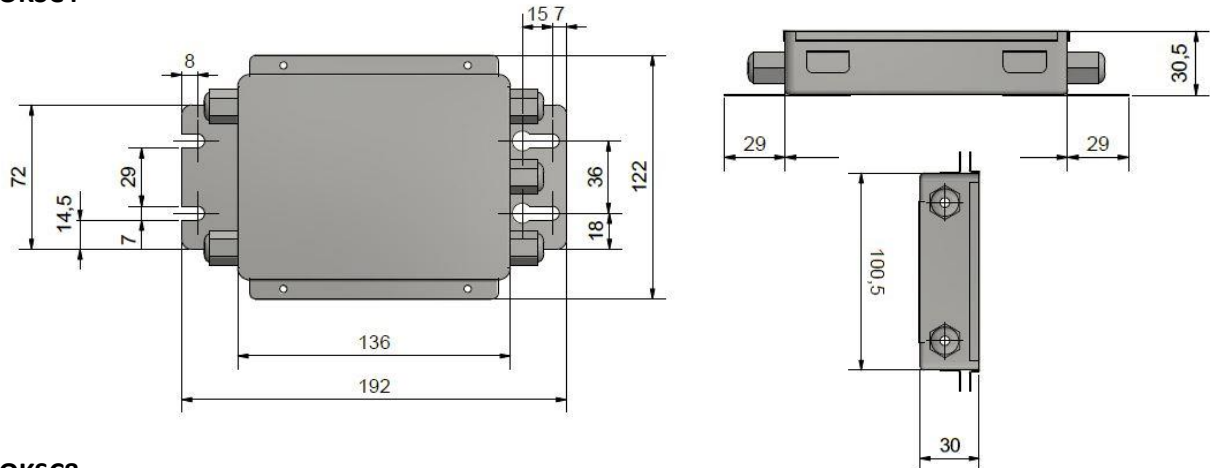
- Robust stainless steel IP67 junction box
- Connection of up to 8 load cells
- Easy trimming via resistors or potentiometers
- Integrated surge protection devices
- Optional chromed glands or ATEX glands

Junction box BOKSC4 & BOKSC8 offers easy connection of 4 and 8 load cells in one box, easy trimming, integrated surge protection devices and compliant with EMC and EN45591 standards. Both junction boxes can be used, when connecting several load cells on different units to e.g. weighbridges, floor scales, big bag units, tanks, silos etc. The connection between multiple load cells and an extension cord to e.g. a weight transmitter, must be secured in a proper manner. The junction box has a one cable gland per load cell and one for the instrument. There are two versions available, both in stainless steel and well suited for environments which have high demands concerning hygiene-, humidity and chemical resistance.

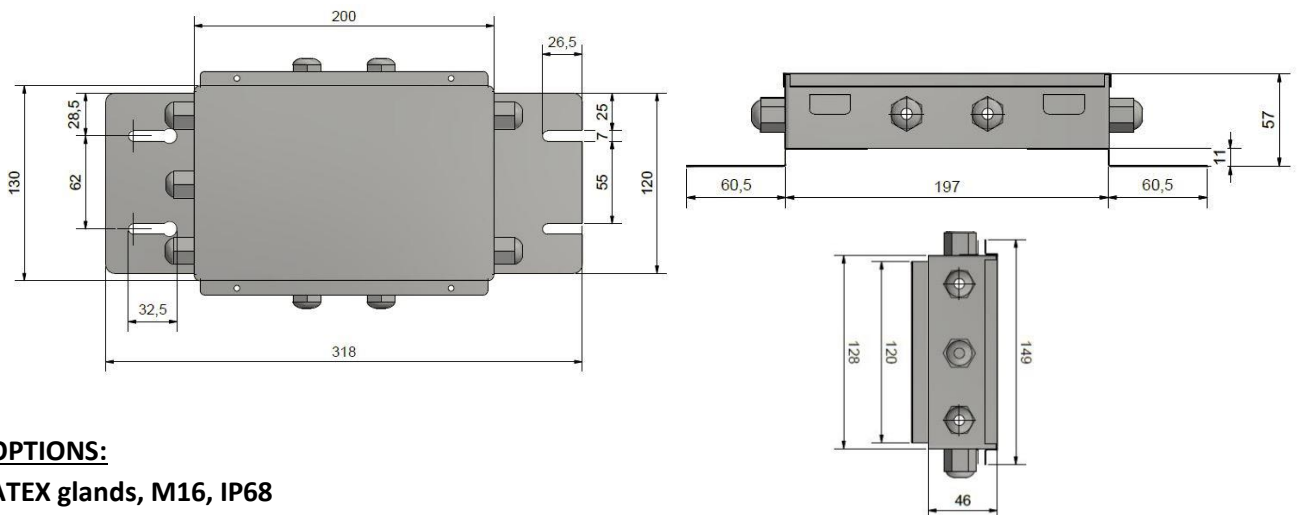
Specifications	
Electromagnetic compatibility	EN45501 approved
Connectors	Screw terminals
Calibration	Signal trim by resistors or potentiometer (max. 20Ω)
Surge protection	90V clamp. Withstands up to 20 kV and up to 10 kA
Temperature range	-30 up to 60°C
Enclosure and protection class	Stainless steel & IP67

Specifications - continued	
Cable fittings	Plastic glands M16 (See options for other types)
BOKSC4 External dimensions (mm)	192 x 136 x 30,5 (L x W x H)
BOKSC8 External dimensions (mm)	318 x 149 x 57,0 (L x W x H)

BOKSC4



BOKSC8



OPTIONS:

ATEX glands, M16, IP68

Chromed glands, M16, IP68



Kabel4 (4-wire cable, $\varnothing = 5,5$ mm)

Kabel6 (6-wire cable, $\varnothing = 7,0$ mm)

The standard cable mounted on the junction box is 4 x 0,34' med copper conductors in PVC-isolation and tinned, braided copper shield. The cape is in grey polyurethane. The standard cable length is 5 meters.