

TBS2 load cell

Stainless steel bending beam



Capacities from 250 to 10,000 kg

Ideal for all industries - OIML R60

Great weighing accuracy - 6-wire sense circuit

Suitable for harsh environments - Stainless steel - IP68

International industrial standard in dimensions and design

TEKFA's stainless bending beam load cell model TBS2 is an industrial standard load cell suitable for a wide range of purposes. The TBS2 load cell is typically used on tanks, platform scales, and various dosing plants. The load cell is constructed in stainless steel, and with the tightness degree IP68 it is protected against water and dust.

The TBS2 series is manufactured in capacities from 250 to 10000 kg. All TEKFA load cells have calibration certificates with exactly specified rated output and zero balance. This way, a load cell may be replaced by another of the same capacity, often with a very simple recalibration of the system.

The load cells may be connected to all 350Ω weighing amplifiers as well as TEKFA's instruments ranging from simple weighing indicators to PLC and weighing computers with programs designed for the single customer.

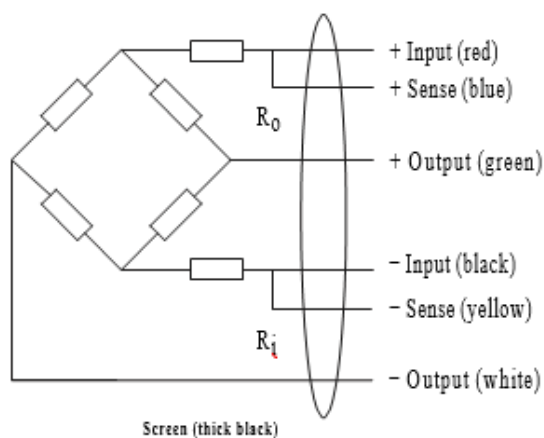
Capacities

Type	Capacity (kg)	Type	Capacity (kg)	Type	Capacity (kg)
TBS2	250	TBS2	1500	TBS2	5000
TBS2	500	TBS2	2000	TBS2	7500
TBS2	750	TBS2	2500	TBS2	10000
TBS2	1000	TBS2	3000		

Specifications

Capacity	250-10,000	kg
Rated output	3.0 ± 0.003	mV/V
Total error	± 0.03	% F.S.
Linearity	± 0.02	% F.S.
Zero balance	± 1	% F.S.
Input impedance	400 ± 10	Ω
Output impedance	352 ± 2	Ω
Insulation impedance	≥ 5000	M Ω
Temperature range	-30 - +70	$^{\circ}\text{C}$
Safe overload	150	% F.S.
Destructive overload	250	% F.S.
Recommended excitation	10-12	VDC/VAC
Maximum excitation	15	VDC/VAC
Material	Stainless steel	
Protection	IP68	
Cable length	5	m

Connections



R_0 : 352 Ω ; R_i : 400 Ω

Dimensions

Cap. (t)	0-2.5	3-5	7.5-10
L (mm)	130.0	171.5	225.5
L1 (mm)	12.7	19.0	25.3
L2 (mm)	76.2	95.3	124.0
L3 (mm)	25.4	38.1	50.8
L4 (mm)	53.5	72.5	102.0
H (mm)	31.8	38.1	50.8
H1 (mm)	15.7	26.0	25.4
D1 (mm)	Ø13.5	Ø20.0	Ø27.0
D2 (mm)	M12	M18x1.5	M24x2
D3 (mm)	Ø13	Ø20	Ø27

