

Stainless load cell, model RBST



TEKFA's load cell, model RBST, is the right choice for the food industry, the chemical industry, and other industrial environments with high demands. The load cell is manufactured in stainless steel and the electronics is protected against water and against faults due to fault currents. The tightness grade is IP68.

The load cells of the RBST series are offered in capacities between 150 kg and 15000 kg. All

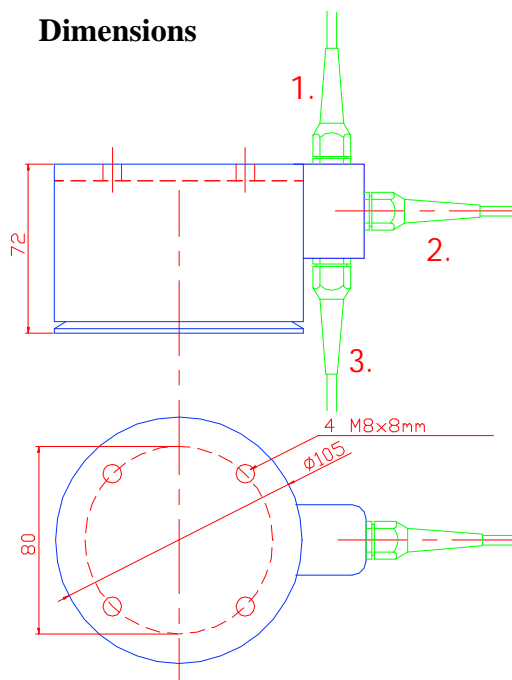
TEKFA load cells are standard calibrated, which means that they have the same zero, the same rated output, etc. Consequently, a load cell may be replaced with another of the same capacity without re-calibrating the whole system.

The load cell may be connected to all 350Ω weighing amplifiers and to TEKFA's weighing computers and weight indicators.

Data

Error in % of maximum load	± 0.1 %
Rated output (mV/V)	1.8 ± 0.1%
Supply - recommended (VDC/VAC)	10
Supply - maximum. (VDC or VAC)	15
Impedance - Output (Ω)	350
Impedance - Input (Ω)	350 - 400
Operation temperature range (°C)	-30 - +70
Overload without effect	20 %
Destructive overload	50 %
Cable length per load cell (Standard)	5 m
Tightness	IP 68
Material	AISI 304
Own weight	Ca. 3.5 kg

Dimensions



Attachment point in the bottom plate:
 $\varnothing = 6 \text{ mm}$, $D = 6 \text{ mm}$.

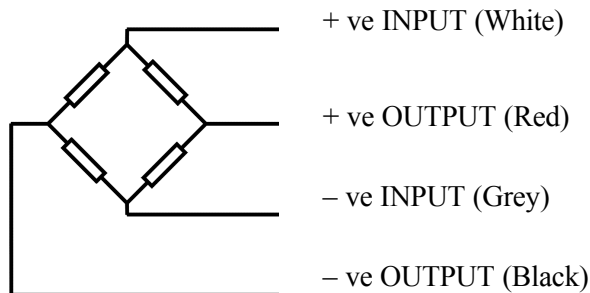
Options

Silo mounts	See data sheet on silo mounts
Cable	Extra length
	Armoured cable incl. screw cap

Position of the cable screw cap (see drawing)

- Type 1: Standard version. The cable screw cap points upwards.
- Type 2: The cable screw cap is horizontal.
- Type 3: The cable screw cap points downwards.

Cable colour



Item no.	Cap. (kg)	Item no.	Cap. (kg)	Item no.	Cap. (kg)	Item no.	Cap. (kg)	Item no.	Cap. (kg)
RBST001501	150	RBST002503	250	RBST007002	700	RBST022001	2,200	RBST070003	7,000
RBST001502	150	RBST003501	350	RBST007003	700	RBST022002	2,200	RBST100001	10,000
RBST001503	150	RBST003502	350	RBST010001	1,000	RBST022003	2,200	RBST100002	10,000
RBST001751	175	RBST003503	350	RBST010002	1,000	RBST035001	3,500	RBST100003	10,000
RBST001752	175	RBST005001	500	RBST010003	1,000	RBST035002	3,500	RBST125001	12,500
RBST001753	175	RBST005002	500	RBST015001	1,500	RBST035003	3,500	RBST125002	12,500
RBST002001	200	RBST005003	500	RBST015002	1,500	RBST050001	5,000	RBST125003	12,500
RBST002002	200	RBST006501	650	RBST015003	1,500	RBST050002	5,000	RBST150001	15,000
RBST002503	200	RBST006502	650	RBST020001	2,000	RBST050003	5,000	RBST150002	15,000
RBST002501	250	RBST006503	650	RBST020002	2,000	RBST070001	7,000	RBST150003	15,000
RBST002502	250	RBST007001	700	RBST020003	2,000	RBST070002	7,000		

Example

Load cell, type 2 with a capacity of 1500 kg: RBST015002. Same capacity, but type 3: RBST015003.