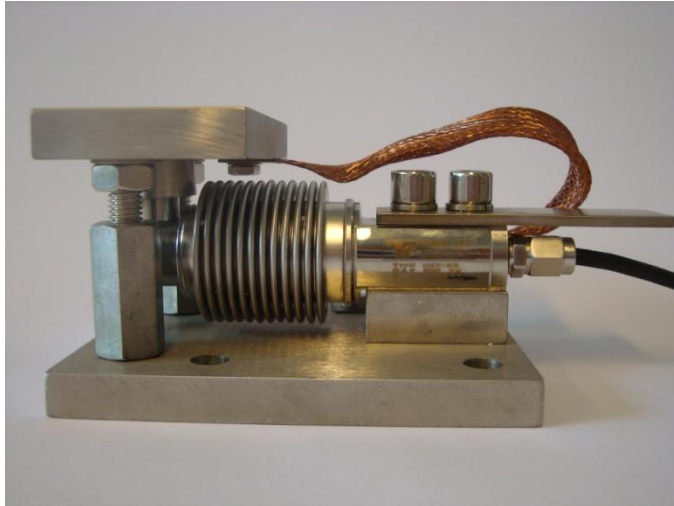


## WEIGHING MODULE-TBS1



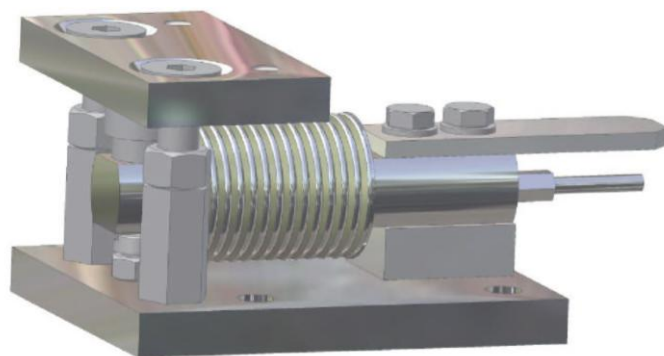
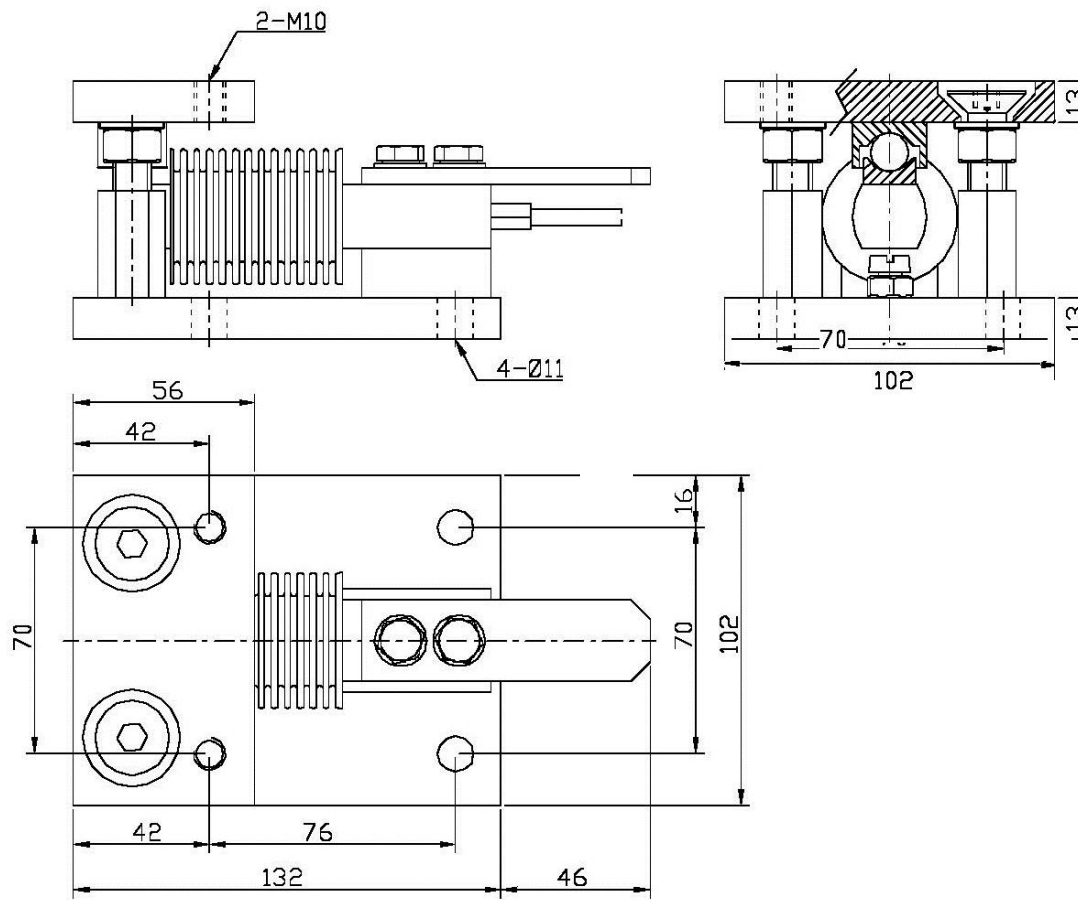
- Equipped with load cell
- Capacity 5 kg – 50 kg
- OIML R60
- Stainless steel IP68
- With anti lift-off and overload stop
- Easy to install and replace load cell
- Robust construction
- Compact installation at minimum height
- Ideal for bins, tanks, dosing plants etc.

Weighing module VM-TBS1 is with its simple design easy to install in new as well as in already existing weighing applications. The VM-TBS1 can be mounted with and without load cell, and thereby reducing the plant down-time to an absolute minimum and also reducing the load cell damage. The weighing module is an integrated lift-off and overload system for weighing bins, tanks, dosing plants and many other weighing vessels and applications.

Vessel movements due to thermal effects are accommodated with no loss of performance or accuracy by means of

VM-TBS1's built-in free motion load adaptor. Load bearings surface have hardened finish. A substantial protection plate is positioned above the cable gland to prevent damage by falling objects or misuse, e.g. as a convenient step point. Maximum safety protection from the effects of wind or accidental collision is built-in. The heavy duty earth straps ensure that no potential differences exist between upper and lower mounting plates. This low resistance cable also assists in preventing unwanted strong welding

VT-TBS1 – 06.10 - DK



Type	VM-TBS1-50	VM-TBS1-75	VM-TBS1-100	VM-TBS1-150	VM-TBS1-200	VM-TBS1-250	VM-TBS1-300	VM-TBS1-500
Kap.	50 kg	75 kg	100 kg	150 kg	200 kg	250 kg	300 kg	500 kg