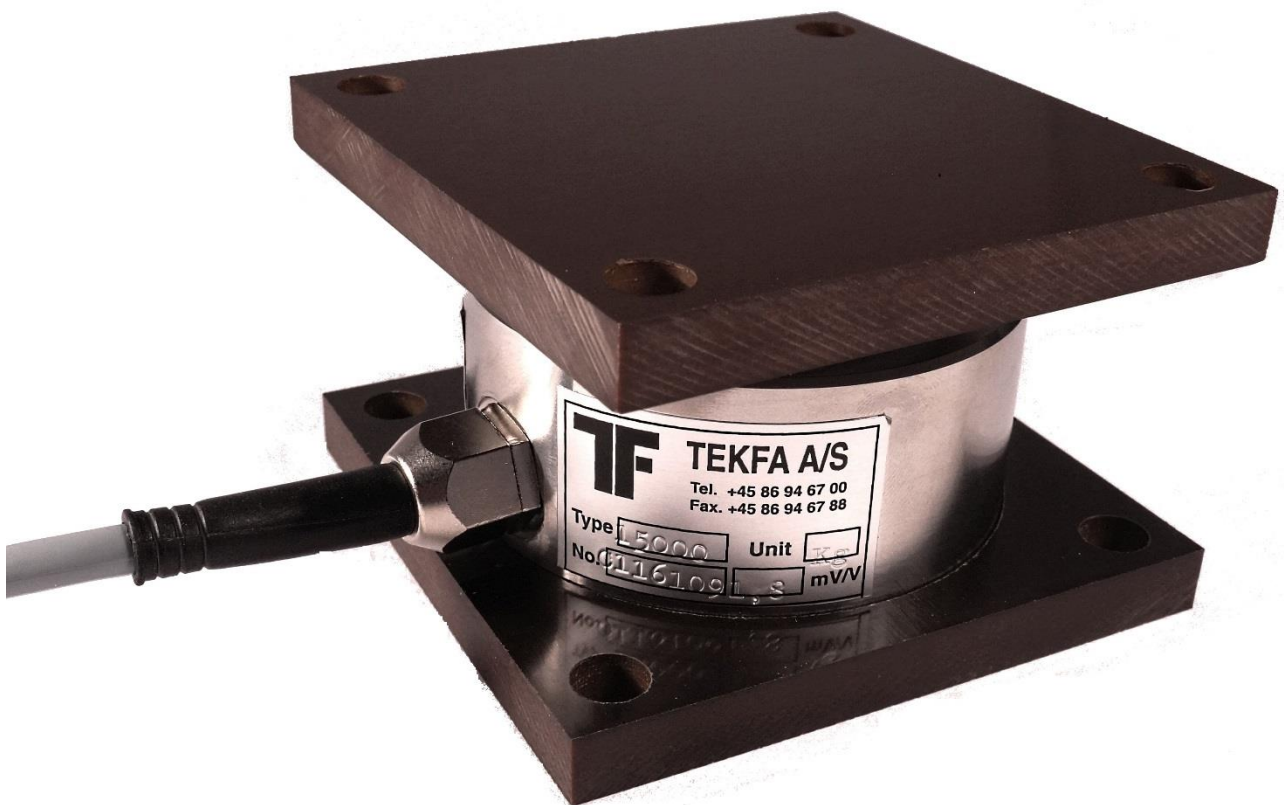
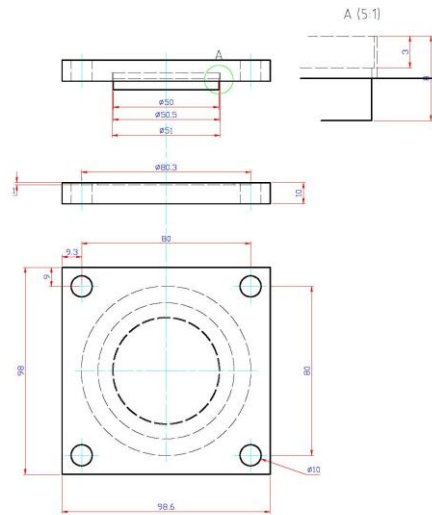
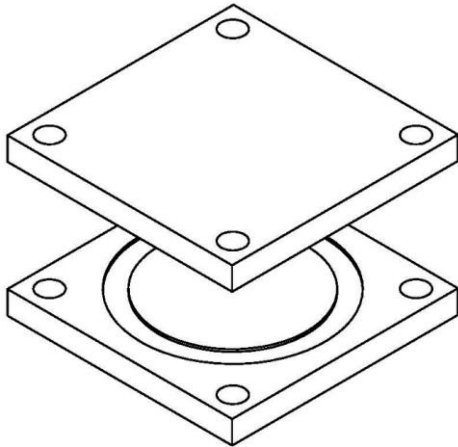


Isolation Mount RBOU/RBMOU



The isolation mount type RBOU and RBMOU protects the RBS and RBMS load cells respectively against lightning, welding electricity or any other type of faulty current. The mount is available as part of our complete stainless steel mounts type MTA-ST, MTB-ST, MTC-RF, MTF-ST, MTC-RF-RBMS and MTF-RBM-ST. If you choose to make your own stainless steel mount the RBOU or RBMOU can be fitted on it and thereby protects the load cell. The RBOU mount is used for RBS load cells in the capacity 150 – 15.000 kg and the RBMOU mount is used for RBMS load cells in the capacity 20, 30 and 50 tons.

RBOU



RBMOU

