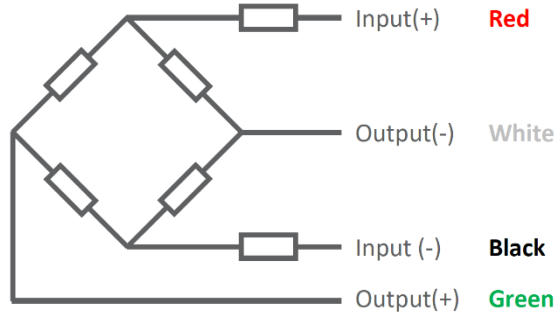


# TTS-tension Load Cell



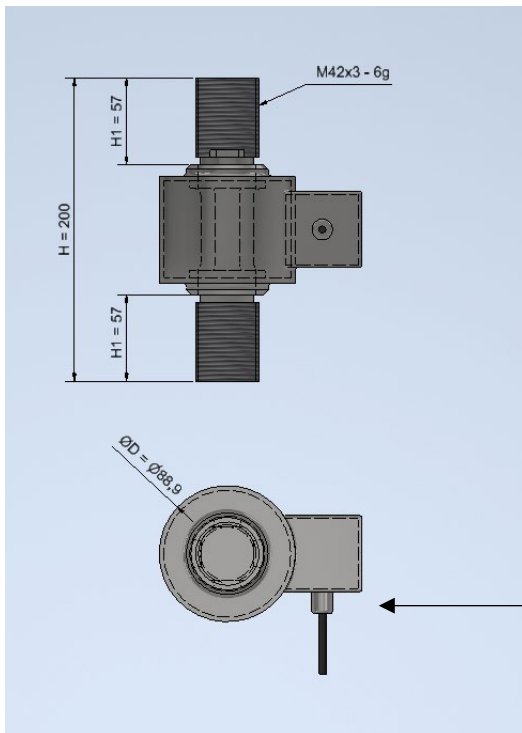
Specifications	Value	Units
Maximum Capacity ( $E_{MAX}$ /Full Scale)	10.000, 20.000, 30.000 or 50.000	Kg
Total error in % of maximum load	$\pm 0,020$	% FS
Rated output (Signal)	$1,5 \pm 0,003$	mV/V
Recommended input (Excitation)	5-12	V AC/DC
Max. input (Excitation)	18	V AC/DC
Impedance input	$700 \pm 7$	$\Omega$
Impedance output	$703 \pm 4$	$\Omega$
Operational temperature range	-10 / +40	$^{\circ}\text{C}$
Max. safe overload (% of $E_{MAX}$ /Full Scale)	150	%
Destructive overload (% of $E_{MAX}$ /Full Scale)	300	%
Cable length (standard)	20	M
IP-Class	68	IP
Material	Stainless Steel, AISI 304	-
Weight	3,45	Kg
Approval	OIML R60-1	-
Class	C3	-

## Wiring diagram



Dimensions					
Item no./ Name	Cap. (kg)	H	H1	Ø D	M
TTS-10T-B	10.000	180	50,5	73	M36X3
TTS-20T-B	20.000	180	50,5	73	M36X4
TTS-30T-B	30.000	200	57	88,9	M42X3
TTS-50T-B	50.000	250	69,5	105	M56X4

E.g. TTS-30T-B



\* Also available with M12, 4p, Code-A, screw connection.